

SIMPLY CLEVER

ŠKODA



# REVERSING CAMERA



Parkovací kamera  
Rückfahrkamera

Fitting instructions/ Montážní návod/ Montageanleitung

**KODIAQ (NS)**

Order Number/ Objednací číslo/ Bestellnummer  
566 054 634, 567 054 634



### Notes to the text/ Poznámky k textu/ Anmerkungen zum Text



**Caution.**

Texts with this symbol warn against the risk of injury of the person performing the assembly, or to potential risk of damage to the vehicle if the operation is performed improperly.

**Pozor.**

Texty s tímto symbolem upozorňují na možnost poranění osoby provádějící montáž popř. možnost poškození vozu při neopatrném provedení operace.

**Achtung.**

Texte mit diesem Symbol weisen auf Verletzungsgefahren bei Personen oder auf eventuelle Beschädigungen des Wagens bei unachtsamer Durchführung der Operation hin.



**Attention.**

Texts with this symbol contain instructions emphasizing accuracy of performance of particular operation.

**Upozornění.**

Texty s tímto symbolem obsahují pokyny s důrazem na přesnost provedení dané operace.

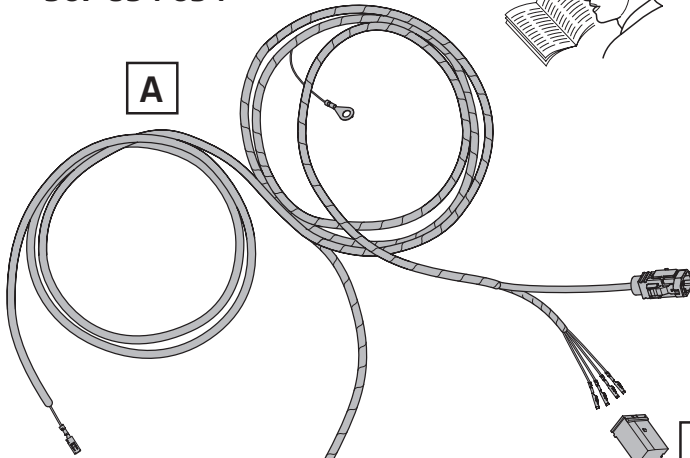
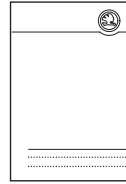
**Hinweis.**

Texte mit diesem Symbol enthalten Hinweise auf die Ausführungsgenauigkeit der jeweiligen Operation.



1

566 054 634  
567 054 634

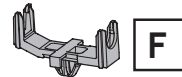
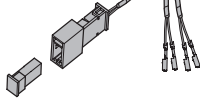


A

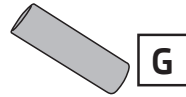


E

D



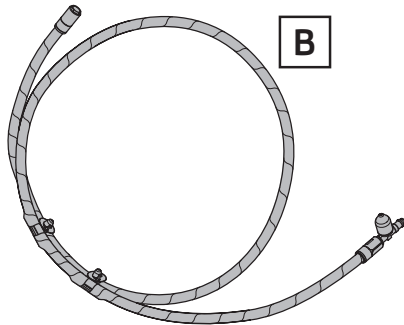
F



G



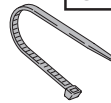
H



B

J

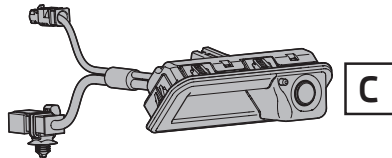
For left-sides driving/  
Pro levostranné řízení/  
Für Linkslenkung - 45x



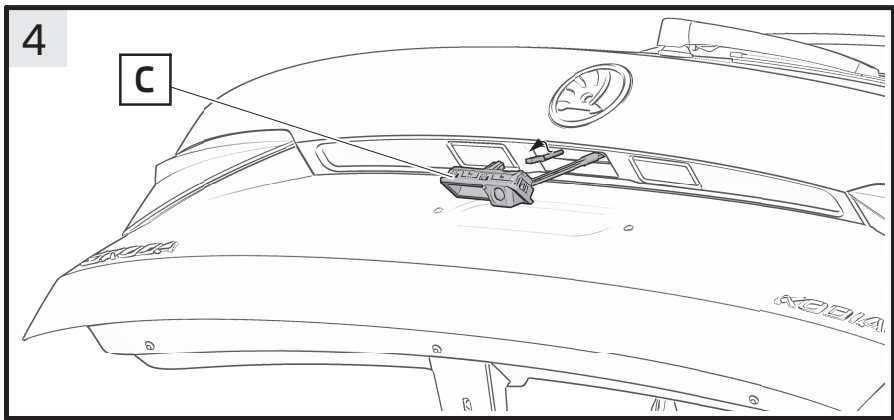
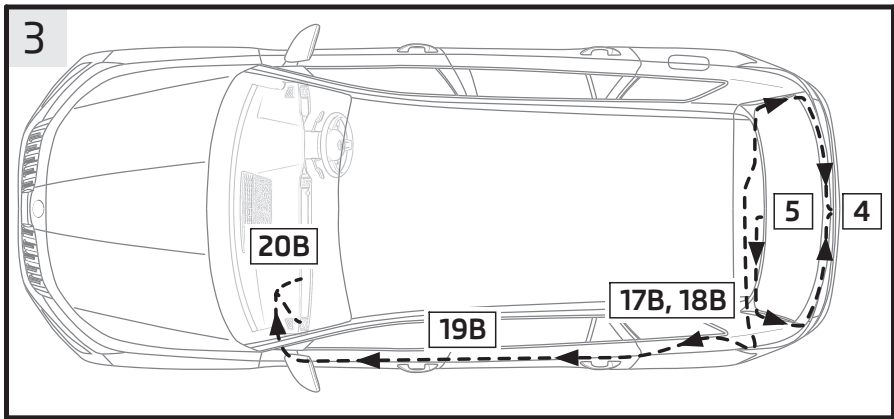
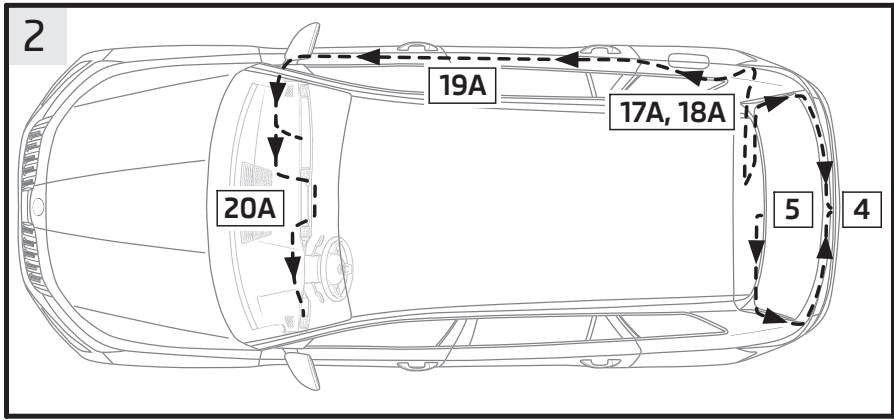
For right-sides driving/  
Pro pravostranné řízení/  
Für Rechtslenkung - 40x

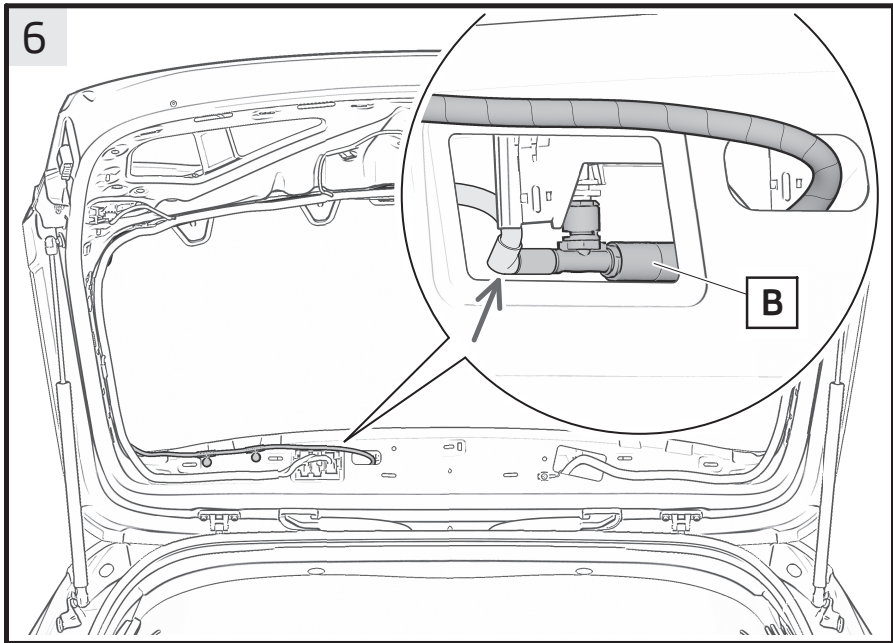
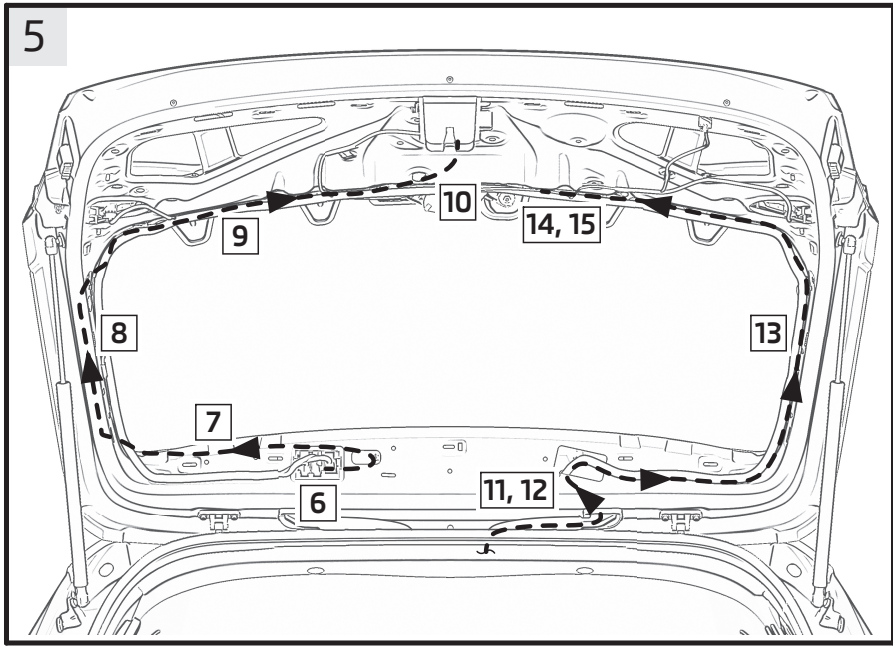
K

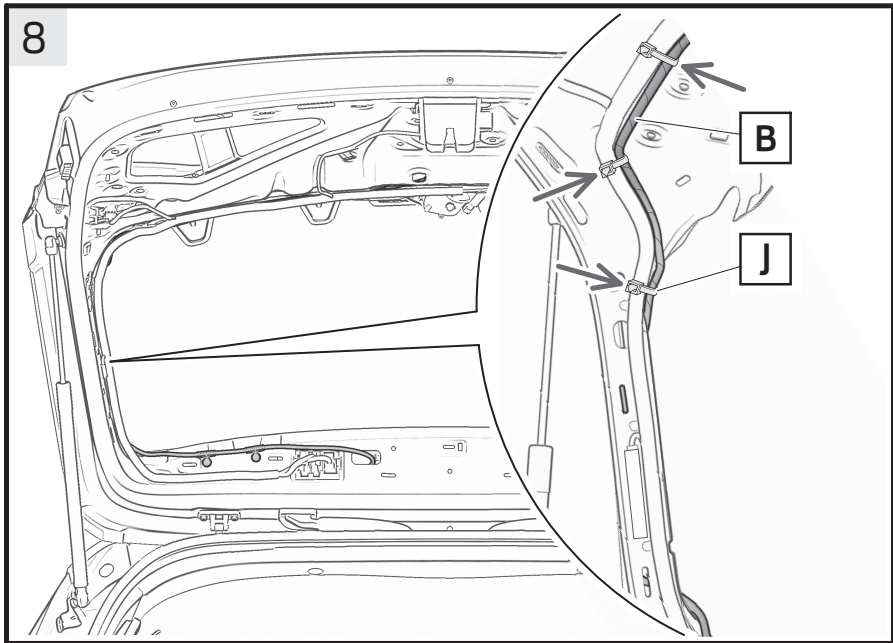
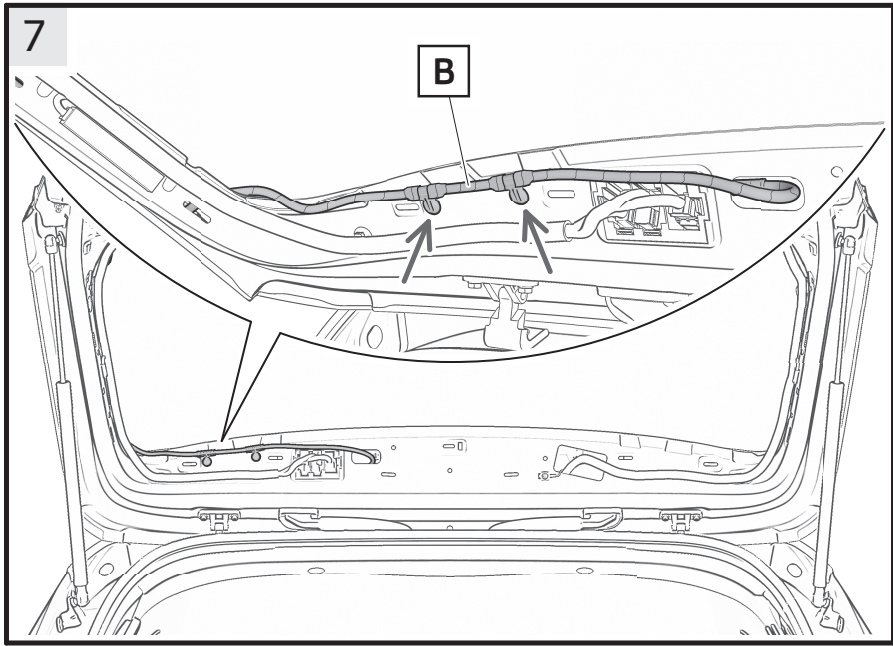
Only for left-sides driving/  
Jen pro levostranné řízení/  
Nur für Linkslenkung - 5x

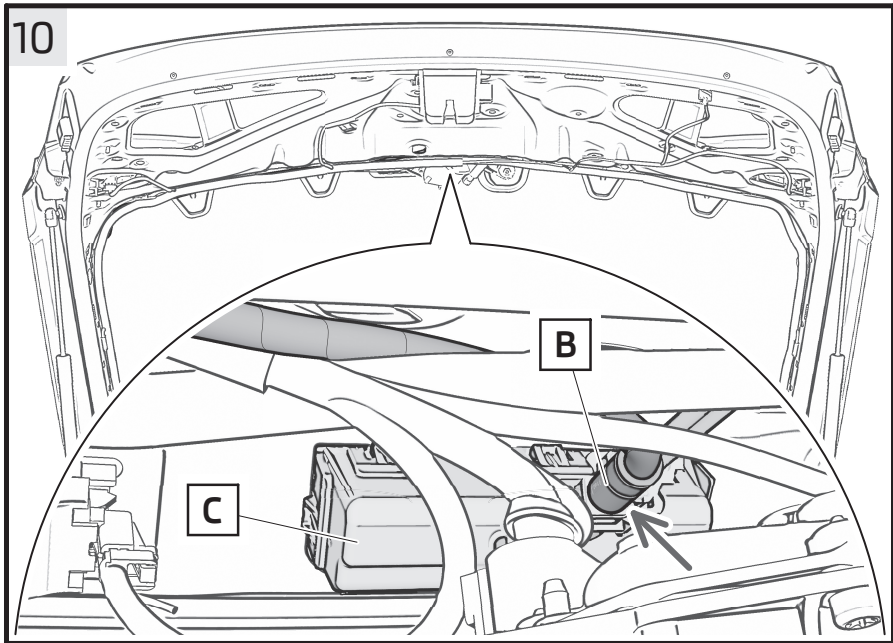
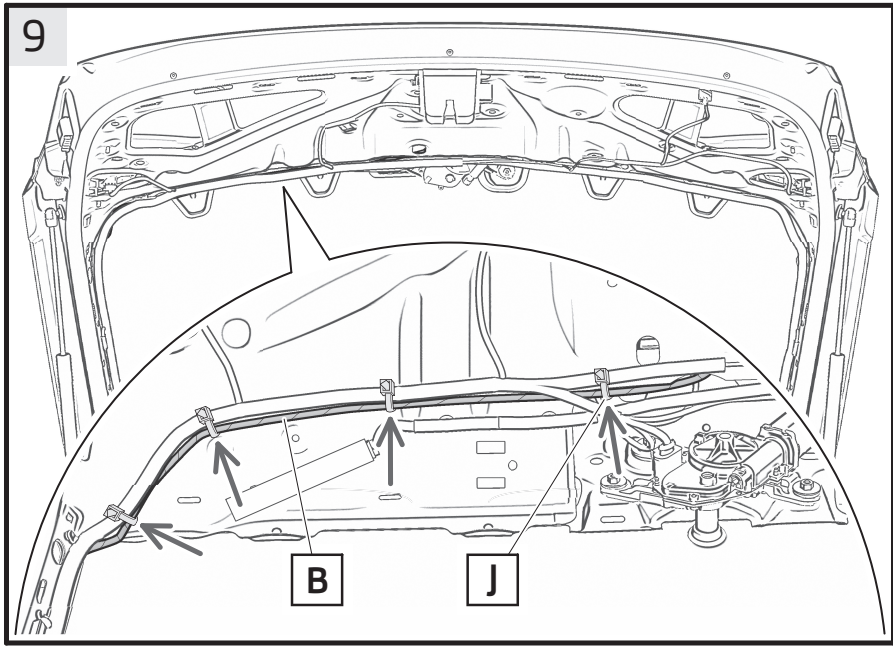


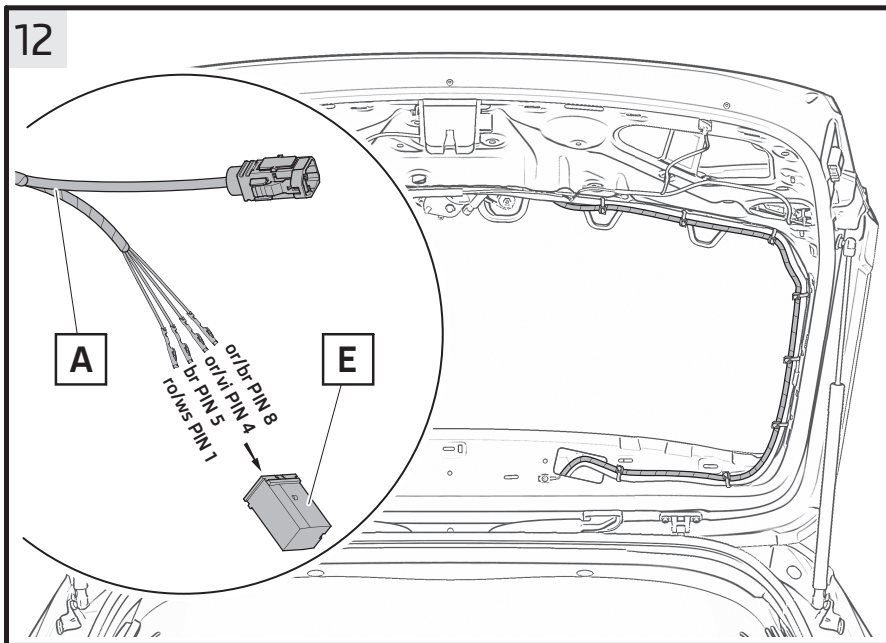
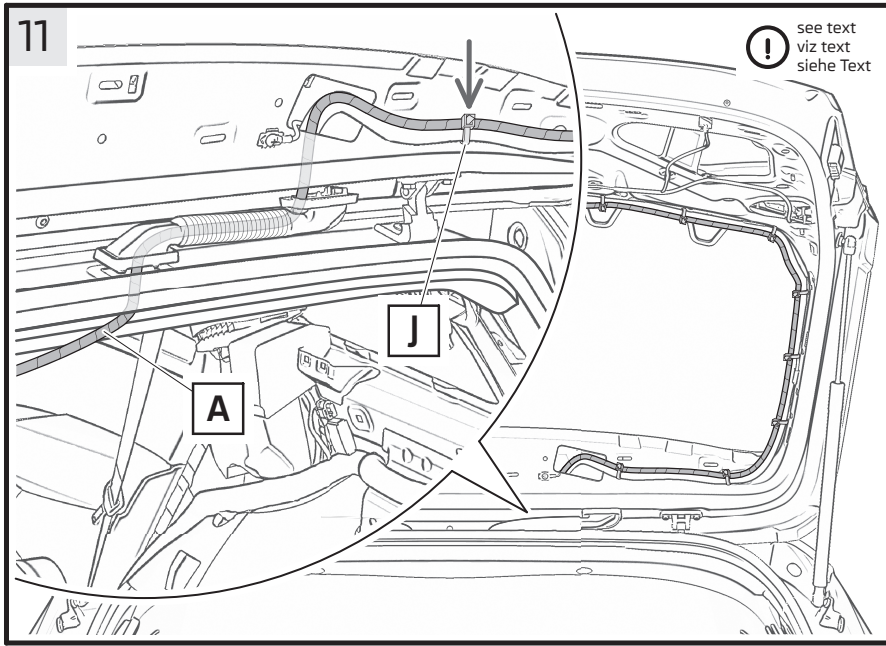
C



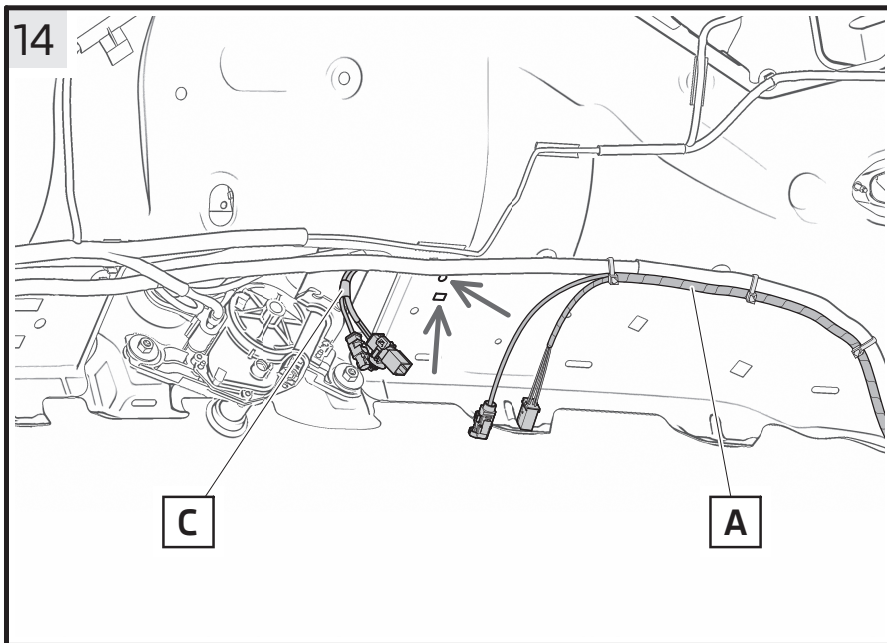
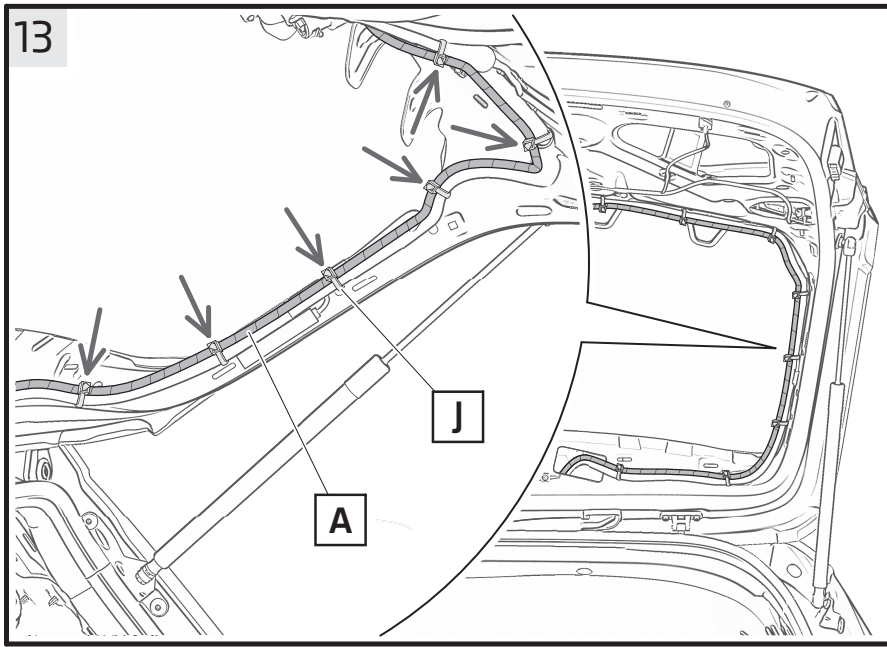


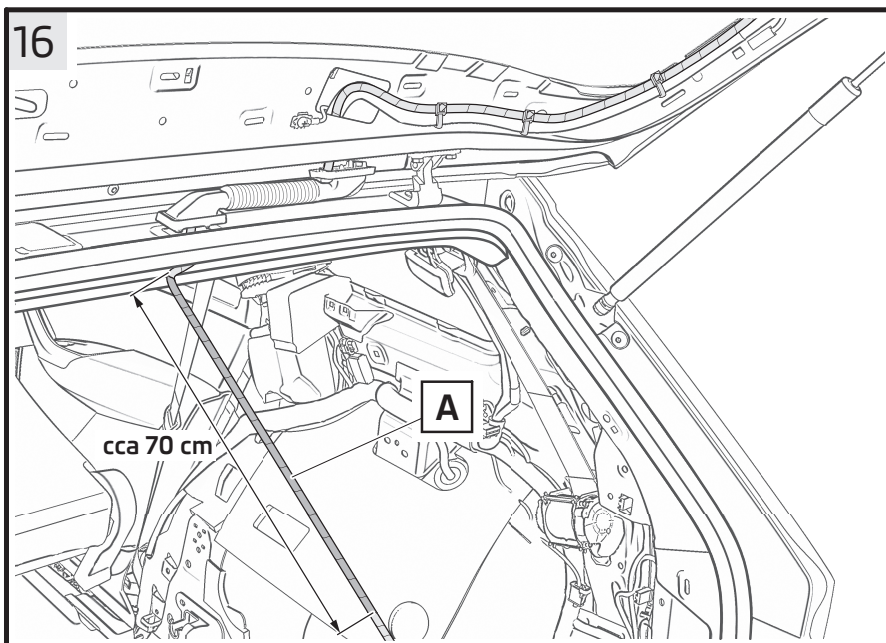
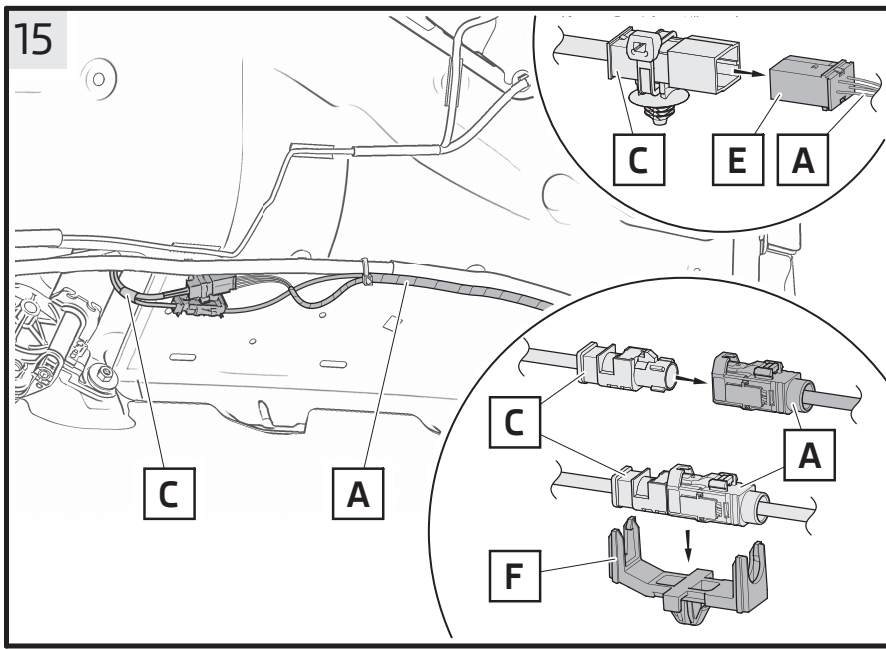


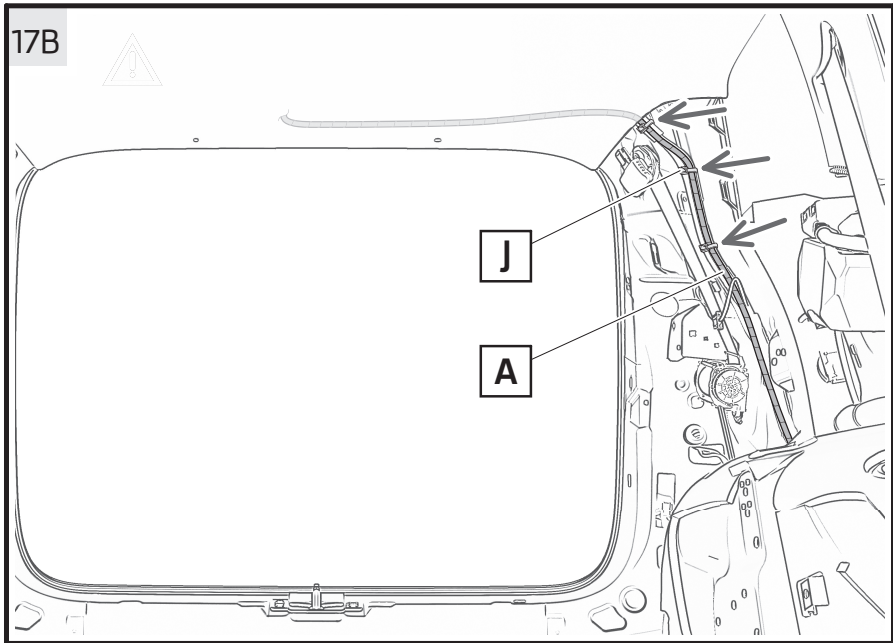
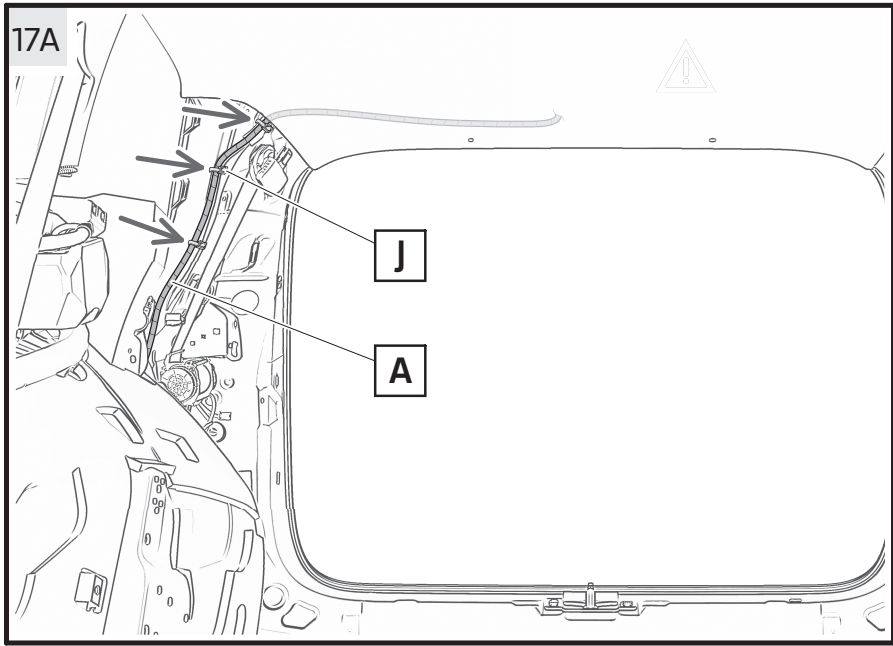


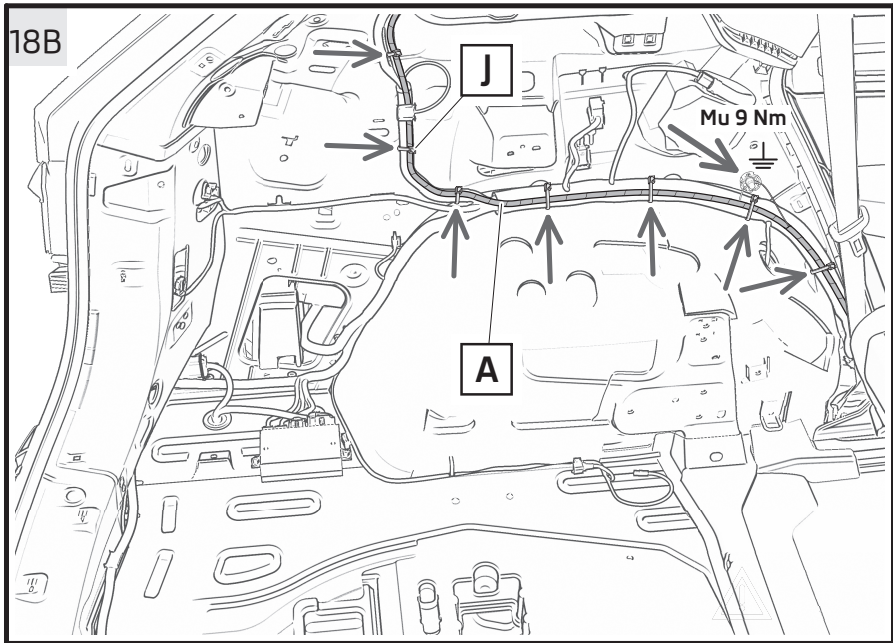
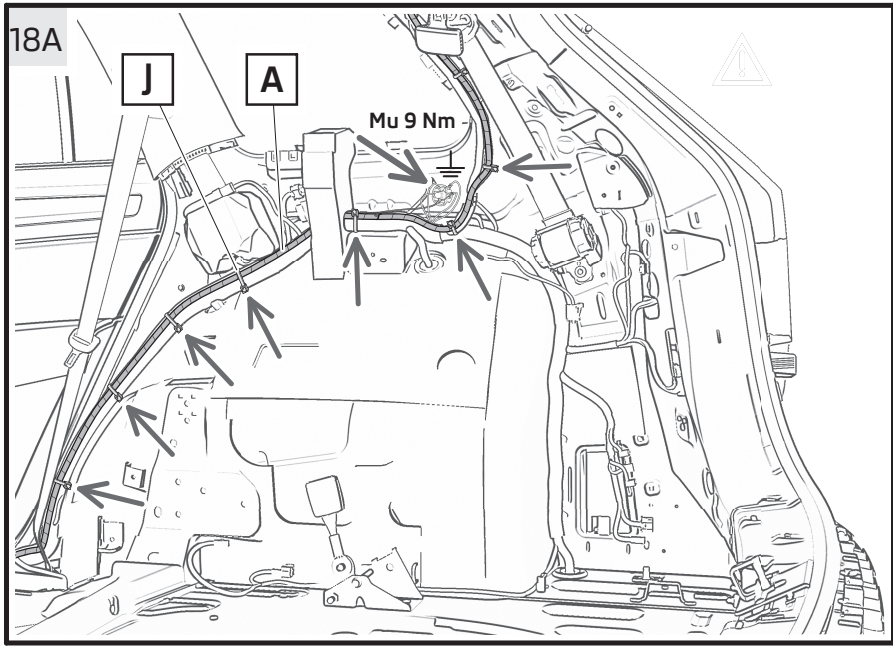


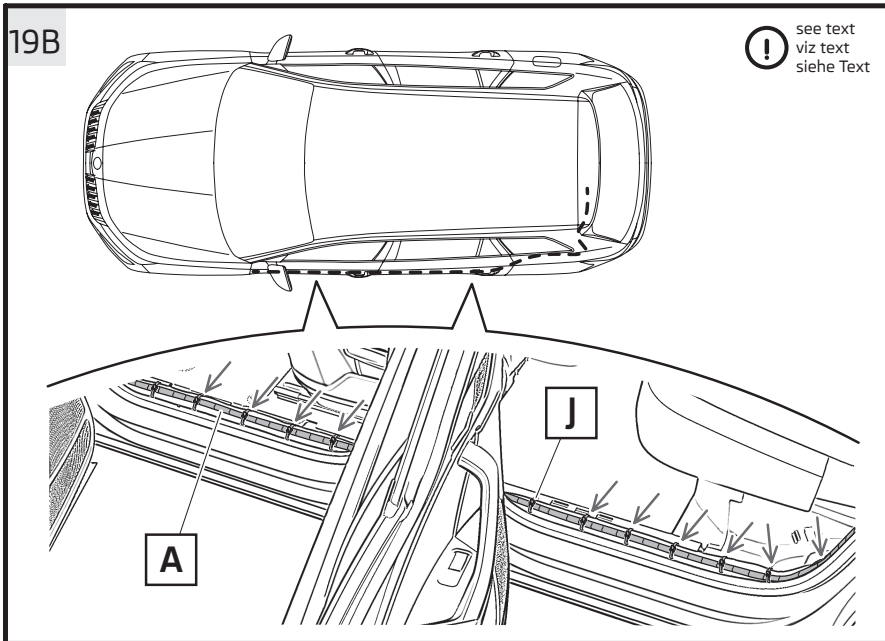
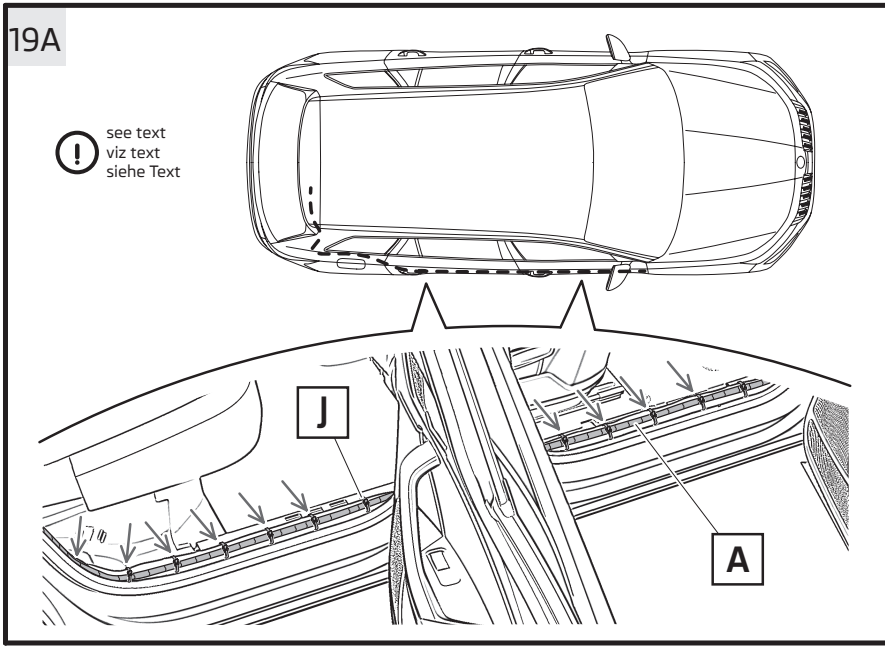


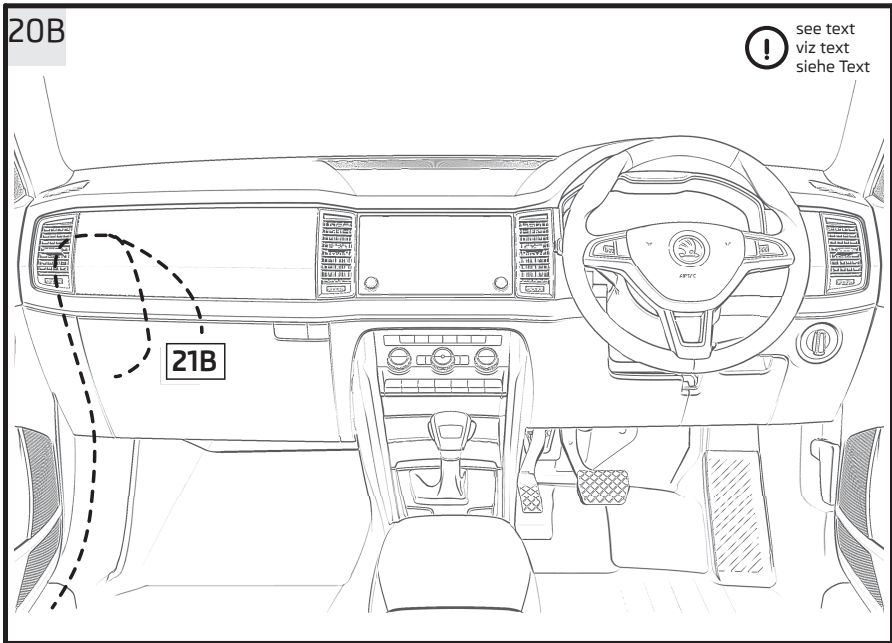
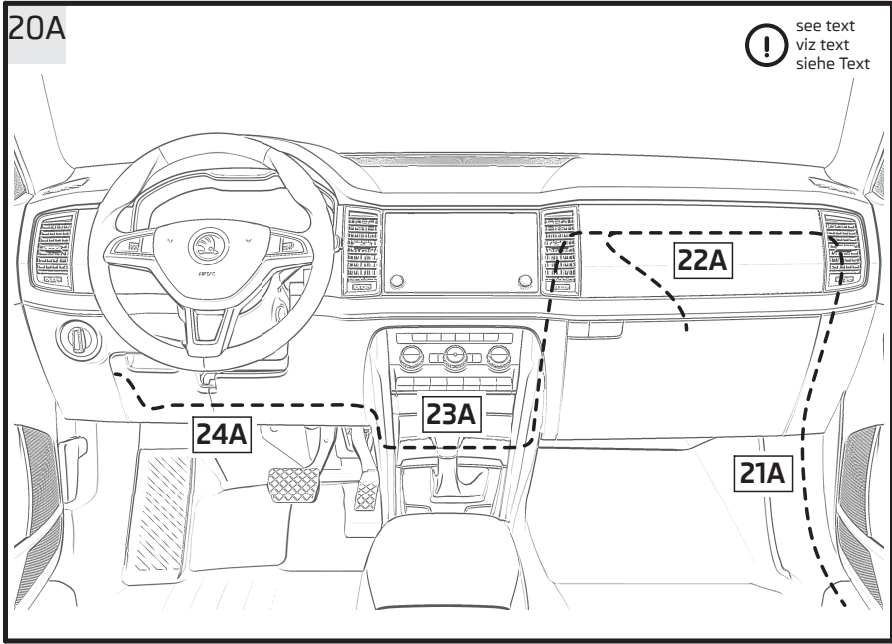


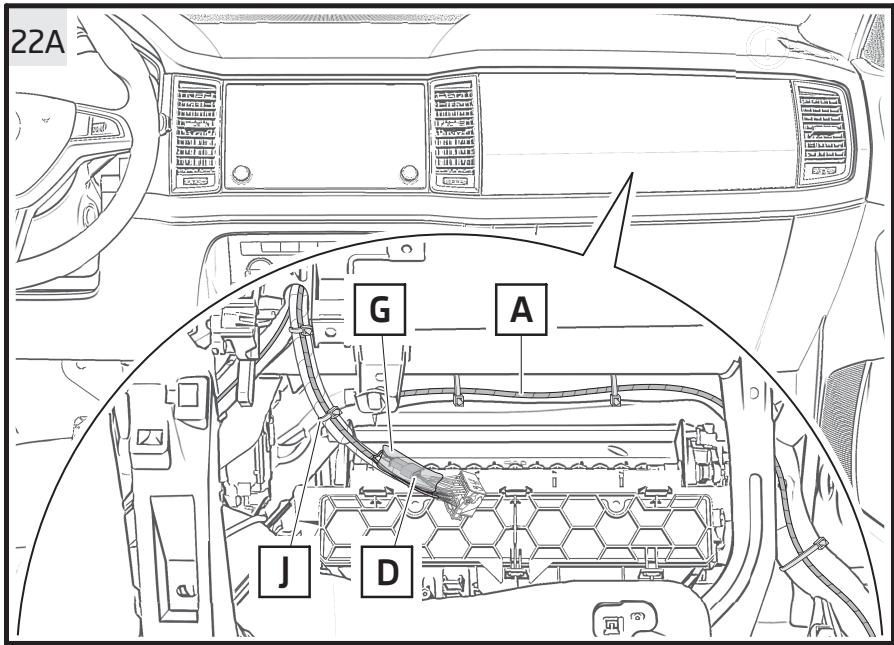
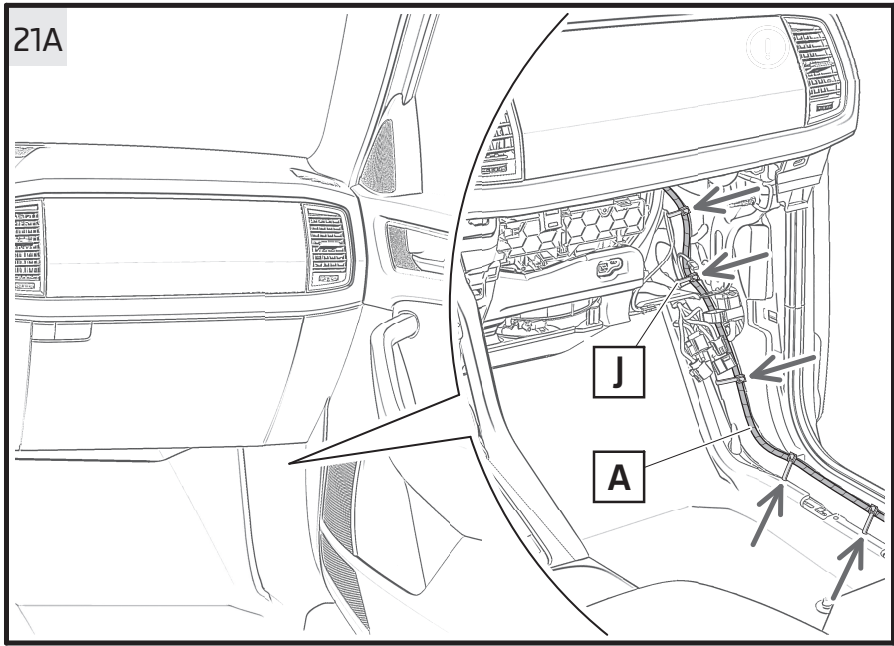


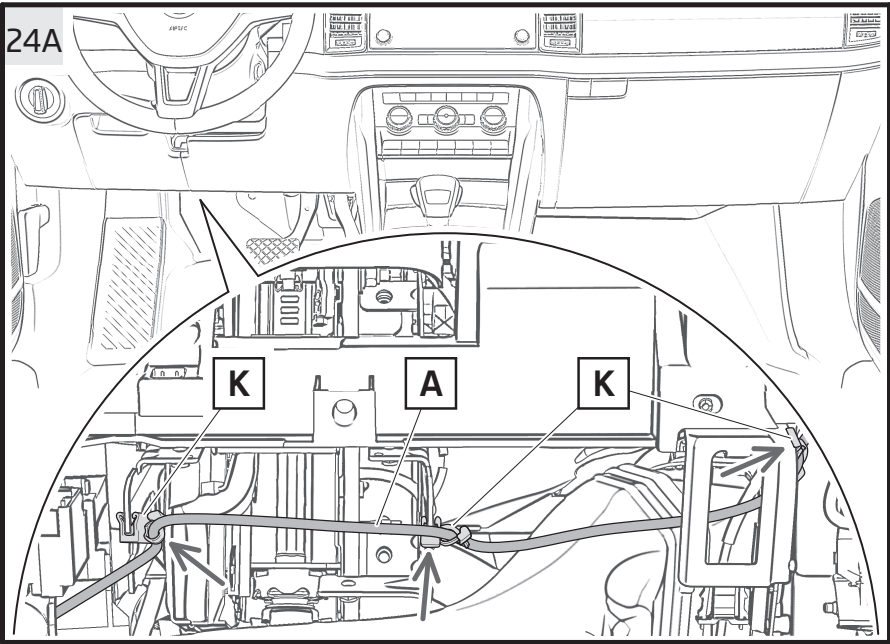
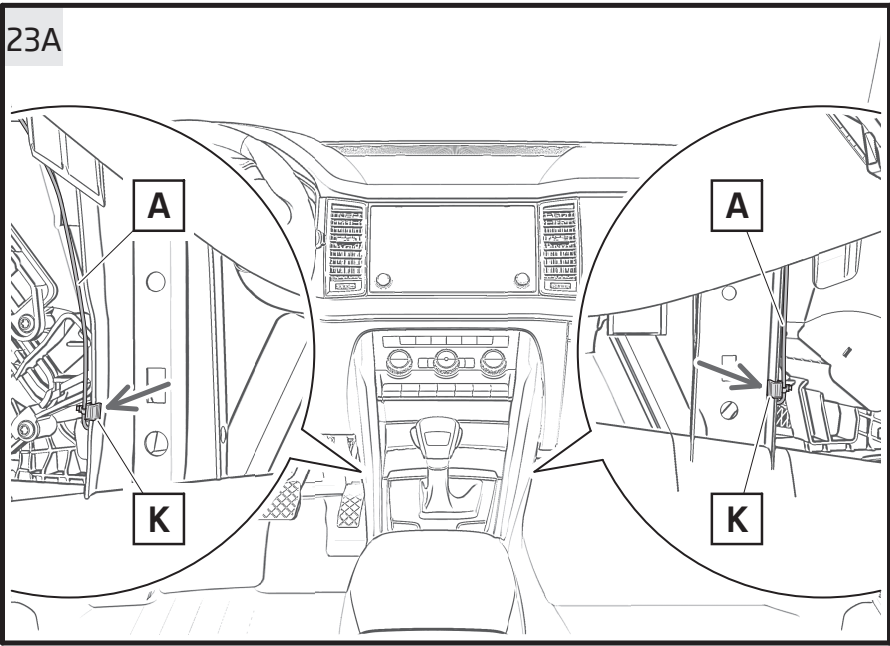




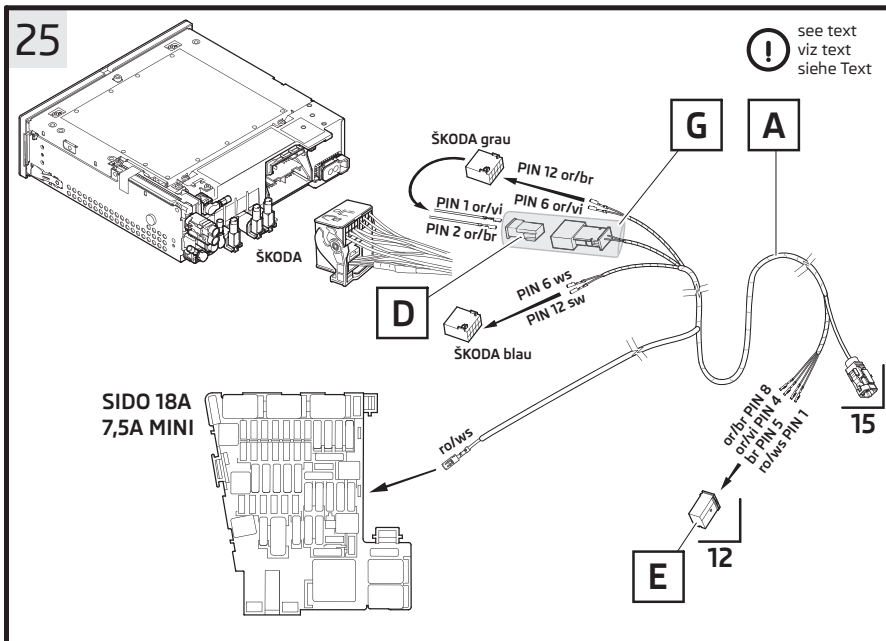
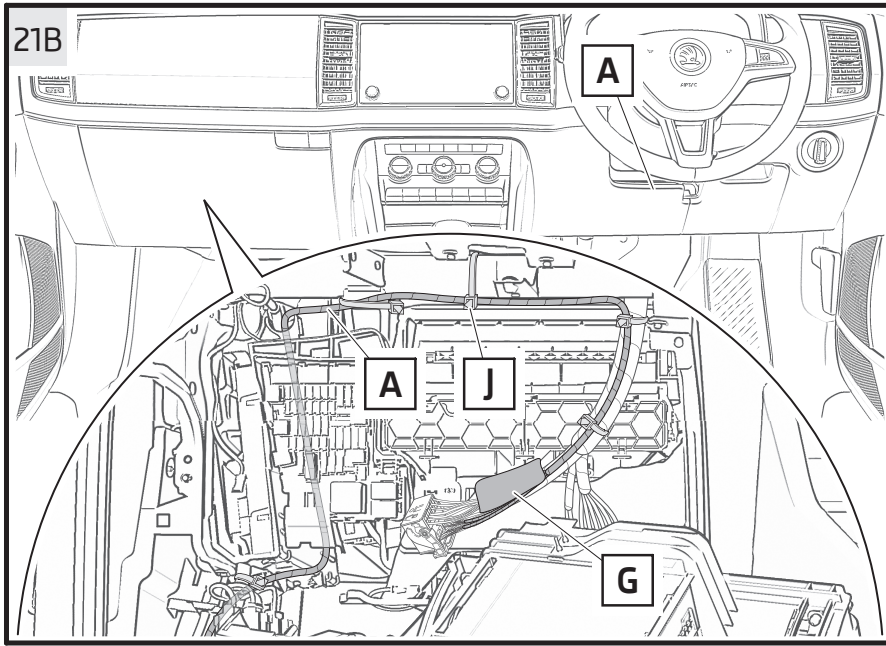














# 26

With the help of the software version management (**SVM**), you can update the software for control modules to perform conversions and retrofits.

Make a selection to do this:

1. Update software through diagnostic address
2. Update software through measures code
3. Perform conversion/retrofit

- 1 -

- 2 -

- 3 -

# 26

Pomocí správy programových verzí (**SVM**) můžete aktualizovat software řídicích jednotek a provádět řešení přestavby a dodatečné výbavy.

K tomu zvolte:

1. Aktualizace programu přes diagnostickou adresu
2. Aktualizace programu přes kód zásahu
3. Provedení přestavby a dodatečné výbavy

- 1 -

- 2 -

- 3 -

# 26

Mit Hilfe des Softwareversionsmanagements (**SVM**) können Sie die Software von Steuergeräten aktualisieren und Um- und Nachrüstlösungen durchführen.

Wählen Sie hierzu bitte aus:

1. Software aktualisieren über Diagnoseadresse
2. Software aktualisieren über Massnahmencode
3. Um-/Nachrüstlösung durchführen

- 1 -

- 2 -

- 3 -



## Reversing camera

The accessories are intended for professional fitting. ŠKODA AUTO recommends that they are fitted by a contractual partner.

### Use

The set is designed for KODIAQ (NS) vehicles equipped with the MIB Amundsen, Bolero or Columbus system.

The set with order no. 566 054 634 is designed for left-hand drive KODIAQ (NS) vehicles. The set with order no. 567 054 634 is designed for right-hand drive KODIAQ (NS) vehicles.



**Please note: The figures in the instructions provide general fitting information. The installation positions shown in these figures may differ slightly from the installation positions for the vehicle you are working on. The instructions describe and use figures to explain how to fit the rear view camera to left-hand drive ŠKODA KODIAQ (NS) vehicles. Other than the differences illustrated in the figure by index B, the procedure for fitting the rear view camera to right-hand drive KODIAQ (NS) vehicles is identical.**

### Component index for the set (fig. 1)

Component	Quantity	Item
Complete wiring harness	1	A
Washer hose	1	B
Recessed handle with rear view camera	1	C
3-pin protection connector	1	D
8-pin protection connector	1	E
Connector retainer	1	F
Foam-rubber piece	1	G
7.5 A MINI fuse	1	H
Cable tie:		
For left-hand drive vehicles	45	J
For right-hand drive vehicles	40	J
Clip-on cable tie (for left-hand drive vehicles only)	5	K
Fitting instructions	1	

### Special tools

Cutter set  
Cable puller

### Important fitting information

*In order to avoid damaging the wiring harness (A), the grommet or the boot lid's existing electrical installation, proceed with extreme care, and in accordance with the workshop's practices, when pulling a section of the wiring harness through the grommet for the boot lid's electrical installation.*

### Fitting procedure

*The vehicle battery should be disconnected during fitting.*

*The individual components must be removed and refitted in accordance with the instructions in the ŠKODA Repair Manual.*

**Remove the following components:**

- › Handle on the boot lid,
- › Upper and lower boot lid lining,
- › Left- and right-hand D-pillar trim,
- › Boot lid lock cover,
- › Clips for the roof lining,
- › Toolbox (if there are three rows of seats),
- › Third row of seats (if fitted),
- › Passenger-side storage compartment,
- › MIB information electronics control unit.

**For left-hand drive vehicles, remove the following components from the right-hand side (when viewed in the direction of travel):**

- › Luggage compartment lining,
- › Cover cap for the rear seat guide rail,
- › Upper C-pillar trim,
- › Front- and rear-door sill trim,
- › Lower A-pillar trim.

**For left-hand drive vehicles, remove the following components:**

- › Left- and right-hand instrument cluster side covers,
- › Centre console left- and right-hand side panelling,
- › Driver-side storage compartment,
- › Driver-side panelling,
- › Knee airbag (if fitted).

**For right-hand drive vehicles, remove the following components from the left-hand side (when viewed in the direction of travel):**

- › Luggage compartment lining,
- › Cover cap for the rear seat guide rail,
- › Upper C-pillar trim,
- › Front- and rear-door sill trim,
- › Lower A-pillar trim.

**Disconnect the following components:**

- › Right-hand grommet for the electrical installation in the boot lid,
- › Roof lining,
- › Fuse holder.

**Fig. 2, 3**

Layout plan showing the washer hose (B) and the wiring harness (A) - route and connect the hose and all wires as shown in the corresponding figures.

**Fig. 4****Recessed handle with rear view camera**

- › Remove the handle for unlocking the boot lid and disconnect the plug connections.
- › Plug the connector on the existing electrical installation into the recessed handle with the rear view camera (C) (hereafter simply referred to as the "recessed handle"), correctly position the recessed handle and fit it into the opening in the boot lid.

**Fig. 5**

Layout plan showing the washer hose (B) and the wiring harness (A) in the boot lid - route and connect the hose and all wires as shown in the corresponding figures.

**Fig. 6, 7, 8, 9, 10**

**Washer hose**

- > Detach the connector retainer from the boot lid panel and pull out the washer hose for the raised brake light. Pull the washer hose (B) through the opening in the boot lid panel and connect it to the raised brake light. Then connect the washer hose for the raised brake light to the washer hose (B) (see detail in fig. 6).
- > Clip the clips for the washer hose into the panel on the left-hand side of the boot lid (see detail in fig. 7), route the hose between the outer and inner panel on the left-hand side of the boot lid (see detail in fig. 8) and then parallel to the existing electrical installation to the handle (see detail in fig. 9). Then connect the hose to the handle (see detail in fig. 10).
- > Carefully position the washer hose, and then use cable ties (J) spaced 10 - 15 cm apart to secure it to the existing wiring harness.

**Fig. 11, 12, 13, 14, 15**

**How to pull the electrical wiring harness (A) (hereafter simply referred to as the "wiring harness") through from the right-hand grommet for the boot lid's electrical installation to the handle:**

- > Pull the wiring harness (A) through between the roof and the body, then through the opening in the body and into the right-hand grommet for the boot lid's electrical installation, through the grommet and then through the opening in the panel on the right-hand side of the boot lid (see detail in fig. 11).
- > Connect the 8-pin connector (E) to the wires in the wiring harness (A) (see detail in fig. 12) as follows:
  - Connect the orange/brown wire to PIN 8.
  - Connect the orange/purple wire to PIN 4.
  - Connect the brown wire to PIN 5.
  - Connect the red/white wire to PIN 1.
- > Route the wiring harness on the right-hand side of the boot lid parallel to the existing electrical installation to the handle (see detail in fig. 13).
- > Connect the appropriate connectors on the wiring harness (A) to the connectors on the handle (C) (see details in fig. 15) and then clip them into the openings in the boot lid panel (see arrows in fig. 14).
- > Carefully position the wiring harness, and then use cable ties (J) spaced 10 - 15 cm apart to secure it to the existing wiring harness.

 **Please note: The utmost care must be taken when pulling the wiring harness through to avoid damaging the wiring harness itself, the connectors or the grommet for the electrical installation in the boot lid.**

**Fig. 16**

- > Once the wiring harness has been secured, wrap it with abrasion-resistant tape where it enters/exits the grommet for the boot lid's electrical installation and, from there, wrap a length of approximately 70 cm of the wiring harness in soft fabric tape. Clip the grommet for the boot lid's electrical installation back in.

## Routing the wiring harness in the vehicle interior:

### Fig. 17A, 18A

#### Left-hand drive vehicles:

- › Being incredibly careful, bend back the roof lining as far as necessary (it is important that it is not damaged) to allow the wiring harness to be pulled through between the roof and the body and over to the right-hand D-pillar. Then run the wiring harness parallel to the existing electrical installation in the luggage compartment.

#### Earth connection

- › Pull the earthing loop at the end of the brown wire over to the earth screw on the D-pillar, and connect it to the earth screw (see arrow in fig. 18A). Tighten the nut to 9 Nm.

### Fig. 17B, 18B

#### Right-hand drive vehicles:

- › Being incredibly careful, bend back the roof lining as far as necessary (it is important that it is not damaged) to allow the wiring harness to be pulled through between the roof and the body and over to the left-hand D-pillar. Then run the wiring harness parallel to the existing electrical installation in the luggage compartment.

#### Earth connection

- › Pull the earthing loop at the end of the brown wire over to the earth screw on the C-pillar, and connect it to the earth screw (see arrow in fig. 18B). Tighten the nut to 9 Nm.

### Fig. 19A, 19B

- › Route the wiring harness (A) on the passenger's side out of the luggage compartment, parallel to the rear wheel arch, along the vehicle sill and over to the A-pillar.



**Please note: Carefully route the wiring harness in the luggage compartment and over to the wheel arch, the vehicle sill and the A-pillar, and secure it to the vehicle's existing wiring harness using cable ties (J) every 10 - 15 cm.**

### Fig. 20A, 20B

Layout plan showing the wiring harness (A) beneath the instrument cluster.

### Fig. 21A, 22A, 23A, 24A

#### Left-hand drive vehicles:

- › Run the wiring harness (A) parallel to the A-pillar (see fig. 21A) and to the wiring harness for the MIB information electronics control unit, and over to the passenger-side storage compartment area (see fig. 22A).
- › Route the wire in the wiring harness for connecting to the fuse holder out of the passenger-side storage compartment area and parallel to the module carrier. Run it over to the centre tunnel, through the centre console and over to the driver's side and then the fuse holder.



**Please note: Carefully route the wiring harness below the instrument cluster and use cable ties (J) to secure it to the vehicle's existing wiring harness and clip-on cable ties (K) to secure it at suitable points to the module carrier (fig. 23A, 24A).**

**Fig. 21B**

**Right-hand drive vehicles:**

- > Route the wiring harness from the A-pillar, behind the bracket for the BCM control unit and the fuse holder RACK and over to the module carrier, then parallel to the module carrier and over to the wiring harness for the information electronics control unit.

**Fig. 25**

**Fuse holder**

- > Insert the sleeve for the red/white wire in the wiring harness into connection point 18A in the fuse holder as shown in the circuit diagram. Insert the 7.5 A MINI fuse (H) into the wired connection point.

**How to connect the camera wiring harness to the information electronics control unit:**

- > Pull the Quadlock connector from the information electronics control unit (in the passenger-side storage compartment) and connect the wires in the wiring harness in accordance with the circuit diagram as set out below.  
 Connect the white wire in the wiring harness to the blue connector (Quadlock) PIN 6 and the black wire to the blue connector (Quadlock) PIN 12.  
 Remove the orange/purple wire from the grey ŠKODA (Quadlock) connector PIN 6 and connect it to PIN 1 of the protection connector (D). Remove the orange/brown wire from the grey ŠKODA (Quadlock) connector PIN 12 and connect it to PIN 2 of the protection connector (D).  
 Now that PIN 6 is free, connect the orange/purple wire in the wiring harness to it. Now that PIN 12 is free, connect the orange/brown wire in the wiring harness to it.

Slide the foam-rubber piece over the connector (D) and connect this connector to the appropriate connector on the wiring harness. Carefully route the wiring harness and then use cable ties (J) to secure it to the vehicle's existing wiring harness.



**Please note: Route the wiring harness such that it cannot become damaged on the edges of the instrument cluster console.**

**On the heater (behind the passenger-side storage compartment), secure the wiring harness for the rear view camera to the existing electrical installation and the vehicle's module carrier such that it cannot come into contact with the moving part of the heater (flap).**

**Use cable ties to secure the wires under the instrument cluster to the fuse holder such that they cannot become detached. This prevents them from coming into contact with any other components located under the instrument cluster (knee airbag, foot pedals, steering column, etc. for left-hand drive vehicles, and the passenger-side storage compartment for right-hand drive vehicles).**

**Under no circumstances should the operation of the knee airbag, foot pedals or any other components located underneath the instrument cluster be impaired.**

**At the same time, it must still be possible to disconnect the fuse holder.**

EN

Check that the wiring harness (A) has been routed correctly, and that all the wires have been secured correctly. The wires must be secured in such a way that they cannot become damaged and that no interference noise occurs while driving.

Once all the fitting work is complete, refit all the components that were removed in accordance with the instructions in the Repair Manual. Connect the vehicle battery and carry out all the steps for disconnecting and reconnecting the battery.

### Activating the rear view camera

Carry out guided troubleshooting.

- > Activate the "Software version management (SVM)" function. In this menu, select function 3, known as the "Conversion/retrofitting solution" (see fig. 26).
- > Enter the five-digit task code (can be found in the spare parts catalogue (ETKA)) and confirm.
- > End the diagnostics in the usual manner.

Configure the basic settings of the rear view camera in accordance with the ŠKODA Repair Manual.

Check that the rear view camera is working correctly.

*A description of how the rear view camera works and a visual representation of the area monitored can be found in the Owner's Manual - see the "Parking aid" section in the "Assist systems" chapter.*





## Parkovací kamera

Produkty příslušenství jsou určeny k odborné montáži. ŠKODA AUTO doporučuje provádět montáž u smluvních partnerů.

CZ

### Použití

Sada je určena pro vozy KODIAQ (NS) se systémem MIB Amundsen, Bolero, Columbus ve výbavě vozu.

Sada 566 054 634 je určena pro vozy KODIAQ (NS) s levostranným řízením.

Sada 567 054 634 je určena pro vozy KODIAQ (NS) s pravostranným řízením.



**Upozornění. Obrázky v návodu slouží jako obecná informace k montáži. V některých detailech se mohou od montážních míst daného vozu lišit! V návodu je zobrazena a popsána montáž parkovací kamery na vůz ŠKODA KODIAQ (NS) s levostranným řízením. Postup montáže parkovací kamery na vozy KODIAQ (NS) s pravostranným řízením je až na zobrazené odlišnosti na obr. s indexem B stejný.**

### Sada obsahuje (obr. 1)

Název dílu	Kusů	Pozice
Kompletní svazek elektrické instalace	1	A
Hadice ostříkovače	1	B
Madlo s parkovací kamerou	1	C
Pomocná svorkovnice 3-pólová	1	D
Pomocná svorkovnice 8-pólová	1	E
Držák svorkovnice	1	F
Molitanové tlumení	1	G
Pojistka 7,5A MINI	1	H
Stahovací páska:		
Pro levostranné řízení	45	J
Pro pravostranné řízení	40	J
Narážecí příchytka (jen pro levostranné řízení)	5	K
Montážní návod	1	

### Speciální nářadí

Sada vypichováků  
Protahovací pero

### Důležité pokyny k montáži

*Při protahování částí svazku elektrické instalace (A) průchodkou elektrické instalace 5. dveří postupujte dle zvyklostí servisu a s nejvyšší opatrností, aby nedošlo k jeho poškození, ani k poškození průchodky a stávající elektrické instalace 5. dveří.*

### Postup montáže

Po dobu montáže mějte odpojený akumulátor.

Při demontáži a zpětné montáži jednotlivých dílů postupujte dle pokynů v Dílenské příručce ŠKODA.

#### Demontujte:

- > madlo 5. dveří,
- > horní a dolní obložení 5. dveří,



- > obložení D-sloupku levé i pravé
- > obložení zámku 5. dveří,
- > příchytky stropu,
- > box s nářadím (je-li ve výbavě vozu 3. řada sedadel),
- > 3. řadu sedadel (je-li ve výbavě vozu),
- > odkládací schránku u spolujezdce,
- > řídicí jednotku informační elektroniky MIB.

**Demontujte u vozů s levostranným řízením na pravé straně (ve směru jízdy):**

- > obložení zavazadlového prostoru,
- > krytku vodítka zadních sedadel,
- > obložení C-sloupku horní,
- > panel prahu zadních a předních dveří,
- > obložení A-sloupku dolní.

**Demontujte u vozů s levostranným řízením:**

- > boční kryt přístrojové desky levý i pravý,
- > boční kryt střední konzoly levý i pravý,
- > odkládací schránku u řidiče,
- > obložení u řidiče,
- > kolenní airbag (je-li ve výbavě vozu).

**Demontujte u vozů s pravostranným řízením na levé straně (ve směru jízdy):**

- > obložení zavazadlového prostoru,
- > krytku vodítka zadních sedadel,
- > obložení C-sloupku horní,
- > panel prahu zadních a předních dveří,
- > obložení A-sloupku dolní.

**Uvolněte:**

- > pravou průchodku elektrické instalace 5. dveří,
- > panel stropu,
- > pojistkový panel.

**Obr. 2, 3**

**Schéma hadice ostřikovače (B) a svazku elektrické instalace (A) - hadici a všechny vodiče natrasujte a zapojte dle příslušných obrázků.**

**Obr. 4**

**Madlo s parkovací kamerou**

- > Demontujte madlo otevírání 5. dveří a rozpojte svorkovnice.
- > K madlu s parkovací kamerou (C) (dále jen madlo) připojte svorkovnici stávající elektrické instalace, madlo ustavte a namontujte do otvoru v 5. dveřích.

**Obr. 5**

**Schéma hadice ostřikovače (B) a svazku elektrické instalace (A) v 5. dveřích - hadici a všechny vodiče natrasujte a zapojte dle příslušných obrázků.**

**Obr. 6, 7, 8, 9, 10**

**Hadice ostřikovače**

- > Uvolněte držák svorkovnic z plechu 5. dveří a odpojte hadici ostřikovače 3. brzdového světla. Provlékněte hadici ostřikovače (B) otvorem v plechu 5. dveří, připojte ji k 3. brzdovému světlu a na hadici ostřikovače (B) připojte hadici ostřikovače 3. brzdového světla -detail obr. 6-.



- › Přichytky hadice ostříkovače zacvakněte do plechu na levé straně 5. dveří -detail obr. 7-, hadici vedte mezi vnějším a vnitřním plechem na levé straně 5. dveří -detail obr. 8-, dále podél stávající elektrické instalace k madlu -detail obr. 9-, hadici připojte k madlu -detail obr. 10-.
- › Hadici ostříkovače pečlivě urovnejte a upevněte stahovacími páskami (J) ke svazku stávající elektrické instalace ve vzdálenosti 10 - 15 cm.

CZ

### Obr. 11, 12, 13, 14, 15

#### Protažení svazku elektrické instalace (A) (dále jen svazek) od pravé průchodky elektrické instalace 5. dveří k madlu

- › Svazek (A) protáhněte mezi stropem a karosérií, dále otvorem v karosérii do pravé průchodky elektrické instalace 5. dveří, průchodkou a poté otvorem v plechu na pravé straně 5. dveří -detail obr. 11-.
- › K vodičům svazku (A) připojte 8-pólovou svorkovnici (E) -detail obr. 12- následujícím způsobem.  
Oranžovo/ hnědý vodič zapojte na PIN 8.  
Oranžovo/ fialový vodič zapojte na PIN 4.  
Hnědý vodič zapojte na PIN 5.  
Červeno/ bílý vodič zapojte na PIN 1.
- › Svazek vedte na pravé straně 5. dveří podél stávající elektrické instalace k madlu -detail obr. 13-.
- › Příslušné svorkovnice svazku (A) připojte ke svorkovnicím madla (C) -detaily obr. 15- a poté zacvakněte do otvorů v plechu 5. dveří -šipky obr. 14-.
- › Svazek pečlivě urovnejte a upevněte stahovacími páskami (J) ke svazku stávající elektrické instalace ve vzdálenosti 10 - 15 cm.



**Upozornění. Svazek protahujte s nejvyšší opatrností, aby nedošlo k jeho poškození, popř. poškození svorkovnic a průchodky elektrické instalace 5. dveří.**



### Obr. 16

- › Po upevnění svazku omotejte svazek v místech vstupu a výstupu do/ z průchodky elektrické instalace 5. dveří vhodnou otěruvzdornou páskou a od průchodky elektrické instalace 5. dveří v délce cca 70 cm měkkou textilní páskou. Zacvakněte zpět uvolněnou průchodku elektrické instalace 5. dveří.

#### Trasování svazku v interiéru vozu:

### Obr. 17A, 18A

#### Vozy s levostranným řízením.

- › S nejvyšší opatrností odklopte stropní panel na nezbytně nutnou vzdálenost (nesmí dojít k jeho poškození) tak, aby bylo možné protažení svazku mezi stropem a karosérií vozu k pravému D-sloupku. Dále vedte svazek podél stávající elektrické instalace v zavazadlovém prostoru vozu.

#### Ukostření

- › Kostřicí oko hnědého vodiče vedte ke kostřicímu šroubu u D-sloupku a připojte jej na kostřicí šroub -obr. 18A, šipka-. Matici dotáhněte utahovacím momentem 9 Nm.



**Obr. 17B, 18B****Vozy s pravostranným řízením.**

- > S nejvyšší opatrností odklopte stropní panel na nezbytně nutnou vzdálenost (nesmí dojít k jeho poškození) tak, aby bylo možné protažení svazku mezi stropem a karosérií vozu k levému D-sloupku. Dále vedte svazek podél stávající elektrické instalace v zavazadlovém prostoru vozu.

**Ukostření**

- > Kostřicí oko hnědého vodiče vedte ke kostřicímu šroubu u C-sloupku a připojte jej na kostřicí šroub -obr. 18B, šipka-. Matici dotáhněte utahovacím momentem 9 Nm.

**Obr. 19A, 19B**

- > Svazek (A) natrasujte na straně spolujezdce ze zavazadlového prostoru, podél zadního podběhu, prahu vozu k A-sloupku.



**Upozornění. V zavazadlovém prostoru, na podběhu kola, na prahu vozu a u A-sloupku svazek pečlivě urovnejte a upevněte ke svazku stávající elektrické instalace vozu stahovacími páskami (J) ve vzdálenosti 10 - 15 cm.**

**Obr. 20A, 20B**

Schéma svazku elektrické instalace (A) v prostoru pod přístrojovou deskou.

**Obr. 21A, 22A, 23A, 24A****Vozy s levostranným řízením.**

- > Svazek (A) natrasujte podél A-sloupku -obr. 21A- ke svazku řídicí jednotky informační elektroniky MIB do prostoru odkládací schránky spolujezdce -obr. 22A-.
- > Vodič svazku pro zapojení do pojistkového panelu vedte z prostoru odkládací schránky spolujezdce podél nosníku modulu ke střednímu tunelu, skrz střední konzolu na stranu řidiče a dále k pojistkovému panelu.



**Upozornění. V prostoru pod přístrojovou deskou svazek pečlivě urovnejte a upevněte ke svazku stávající elektrické instalace vozu stahovacími páskami (J) a na vhodných místech k nosníku modulu narážecími přichytkami (K) -obr. 23A, 24A-.**

**Obr. 21B****Vozy s pravostranným řízením.**

- > Svazek vedte od A-sloupku za držákem řídicí jednotky BCM a pojistkového panelu RACK k nosníku modulu, dále podél nosníku modulu ke svazku řídicí jednotky informační elektroniky.

**Obr. 25****Pojistkový panel**

- > Zasuňte dutinku červeno/ bílého vodiče svazku dle schématu do pojistkového panelu na pozici 18A. Do osazeného místa zasuňte pojistku 7,5A MINI (H).

**Zapojení svazku kamery do řídicí jednotky informační elektroniky.**

- > Z řídicí jednotky informační elektroniky (umístěné ve schránce spolujezdce) odpojte svorkovnicí „quadlock“ a vodiče svazku zapojte dle schématu následujícím způsobem. Bílý vodič svazku zapojte do modré svorkovnice (quadlock) PIN 6 a černý vodič zapojte do modré svorkovnice (quadlock) PIN 12.

Vyjměte oranžovo/ fialový vodič z šedé svorkovnice ŠKODA (quadlock) PIN 6, zapojte jej do PIN 1 pomocné svorkovnice (D). Vyjměte oranžovo/ hnědý vodič z šedé svorkovnice ŠKODA (quadlock) PIN 12, zapojte jej do PIN 2 pomocné svorkovnice (D).

Na uvolněný PIN 6 zapojte oranžovo/ fialový vodič svazku. Na uvolněný PIN 12 zapojte oranžovo/ hnědý vodič svazku.

Na svorkovnici (D) navlékněte molitanové tlumení a svorkovnici zapojte do příslušné svorkovnice svazku, svazek pečlivě urovnejte a ke svazku stávající elektrické instalace vozu upevněte stahovacími páskami (J).



**Upozornění. Svazek ved'te tak, aby nemohlo dojít k jeho poškození o hrany konzoly přístrojové desky.**

**U modulu topení (za odkládací schránkou spolujezdce) upevněte svazek parkovací kamery ke stávající elektrické instalaci a k nosníku modulu vozu tak, aby nemohlo dojít ke kontaktu s pohyblivou částí modulu topení (klapkou).**

**Pod přístrojovou deskou upevněte vodiče u pojistkového panelu stahovacími páskami tak, aby nemohlo dojít k jejich uvolnění a tím ke kolizi s ostatními díly umístěnými pod přístrojovou deskou (kolenním airbagem, pedály, sloupkem řízení apod. u vozů s levostranným řízením a se schránkou spolujezdce u vozů s pravostranným řízením).**

**V žádném případě nesmí být omezena funkčnost kolenního airbagu, pedálů a ostatních dílů umístěných pod přístrojovou deskou.**

**Zároveň musí zůstat možnost uvolnění pojistkového panelu.**

Zkontrolujte celé natrasování svazku (A) a upevnění všech vodičů. Vodiče musí být uchyceny tak, aby nemohlo dojít k jejich poškození a nedocházelo k rušivým zvukům během jízdy.

Po ukončení montáže namontujte zpět dle Dilenské příručky všechny demontované díly. Připojte akumulátor a proveďte všechny úkony související s odpojením a znovu připojením akumulátoru.

## Proveďte aktivaci parkovací kamery

**Proveďte řízené vyhledávání závad.**

- > Aktivujte funkci „správa programových verzí (SVM)“. V tomto menu zvolte funkci 3 - tzv „Provedení přestavby a dodatečné výbavy“ - viz obr. 26.
- > Zadejte 5místný kód opatření (je uveden v Katalogu náhradních dílů „ETKA“) a potvrďte jej.
- > Diagnostiku dokončete obvyklým způsobem.

**Proveďte základní nastavení parkovací kamery dle Dilenské příručky ŠKODA.**

**Vyzkoušejte funkci parkovací kamery.**

*Popis funkce parkovací kamery a zobrazení snímaného prostoru jsou uvedeny v Návodu k obsluze vozu - kapitola Asistenční systémy/ Pomoc při parkování.*



## Rückfahrkamera

Die Zubehörprodukte sind für eine fachgerechte Montage vorgesehen. ŠKODA AUTO empfiehlt es, die Montage durch Vertragspartner durchzuführen.

DE

### Verwendung

Das Set ist für die Fahrzeuge KODIAQ (NS) mit dem System MIB Amundsen, Bolero, Columbus in der Fahrzeugausstattung vorgesehen.

Das Set 566 054 634 ist für die Fahrzeuge KODIAQ (NS) mit Linkslenkung vorgesehen.

Das Set 567 054 634 ist für die Fahrzeuge KODIAQ (NS) mit Rechtslenkung vorgesehen.



**Hinweis. Die Abbildungen in der Anleitung dienen als eine allgemeine Einbauinformation. In einigen Details können diese von den Einbauorten des jeweiligen Fahrzeugs abweichen! In der Anleitung ist die Montage der Rückfahrkamera am Fahrzeug ŠKODA KODIAQ (NS) mit Linkslenkung dargestellt und beschrieben. Der Montageablauf bezüglich der Rückfahrkamera für die Fahrzeuge KODIAQ (NS) mit Rechtslenkung ist bis auf die in der Abb. mit dem Index B abgebildeten Abweichungen identisch.**

### Teilverzeichnis des Sets (Abb. 1)

Teil	Stückzahl	Position
Kompletter Leitungsstrang	1	A
Waschwasserschlauch	1	B
Griffmulde mit Rückfahrkamera	1	C
Hilfsstecker 3-polig	1	D
Hilfsstecker 8-polig	1	E
Steckerhalter	1	F
Schaumgummstück	1	G
Sicherung 7,5A MINI	1	H
Kabelbinder:		
Für Linkslenkung	45	J
Für Rechtslenkung	40	J
Aufsteckbarer Kabelbinder (nur für Linkslenkung)	5	K
Montageanleitung	1	

### Spezialwerkzeuge

Ausstechersatz  
Kabeleinziehhilfe

### Wichtige Montagehinweise

*Beim Durchziehen eines Teils des Leitungsstrangs (A) durch die Durchführung für die Elektroinstallation der Heckklappe ist nach Werkstattgewohnheit und mit größtmöglicher Vorsicht vorzugehen, um Beschädigungen am Leitungsstrang, an der Durchführung sowie an der bestehenden Elektroinstallation der Heckklappe zu vermeiden.*

### Montageablauf

*Während des Einbaus sollte die Fahrzeugbatterie abgeklemmt sein.*

*Der Ausbau und der erneute Einbau der einzelnen Teile erfolgen laut Anweisungen im Reparaturleitfaden ŠKODA.*



**Es sind folgende Teile auszubauen:**

- › Griff an der Heckklappe,
- › obere und untere Heckklappenverkleidung,
- › D-Säulenverkleidung links und rechts,
- › Verkleidung des Heckklappenschlosses,
- › Clips für die Dachverkleidung,
- › Werkzeugbox (wenn die 3. Sitzreihe vorhanden ist),
- › 3. Sitzreihe (falls vorhanden),
- › Ablagefach auf der Beifahrerseite,
- › Steuergerät für Informationselektronik MIB.

**Bei Linkslenkern sind auf der rechten Seite (in Fahrtrichtung) folgende Teile auszubauen:**

- › Kofferraumverkleidung,
- › Abdeckkappe für die Führungsschiene der Rücksitzbank,
- › C-Säulenverkleidung oben,
- › Schwellerverkleidung an der Hinter- und Vordertür,
- › A-Säulenverkleidung unten.

**Bei Linkslenkern sind folgende Teile auszubauen:**

- › Seitenabdeckung der Schalttafel links und rechts,
- › Seitenverkleidung der Mittelkonsole links und rechts,
- › Ablagefach auf der Fahrerseite,
- › Verkleidung auf der Fahrerseite,
- › Knieairbag (falls vorhanden).

**Bei Rechtslenkern sind auf der linken Seite (in Fahrtrichtung) folgende Teile auszubauen:**

- › Kofferraumverkleidung,
- › Abdeckkappe für die Führungsschiene der Rücksitzbank,
- › C-Säulenverkleidung oben,
- › Schwellerverkleidung an der Hinter- und Vordertür,
- › A-Säulenverkleidung unten.

**Es sind folgende Teile zu lösen:**

- › rechte Durchführung für die Elektroinstallation der Heckklappe,
- › Dachverkleidung,
- › Sicherungshalter.

**Abb. 2, 3**

**Der Verlegungsplan des Waschwasserschlauchs (B) und des Leitungsstrangs (A) - Schlauch und sämtliche Leitungen laut entsprechenden Abbildungen verlegen und anschließen.**

**Abb. 4****Griffmulde mit Rückfahrkamera**

- › Den Griff für die Heckklappenentriegelung ausbauen und die Steckverbindungen trennen.
- › An der Griffmulde mit der Rückfahrkamera (C) (nachstehend nur Griffmulde) den Stecker der bestehenden Elektroinstallation aufstecken, die Griffmulde positionieren und in die Öffnung in der Heckklappe einbauen.

**Abb. 5**

**Der Verlegungsplan des Waschwasserschlauchs (B) und des Leitungsstrangs (A) in der Heckklappe - Schlauch und sämtliche Leitungen laut entsprechenden Abbildungen verlegen und anschließen.**

**Abb. 6, 7, 8, 9, 10****Waschwasserschlauch**

- > Den Steckerhalter vom Heckklappenblech lösen und den Waschwasserschlauch für die hochgesetzte Bremsleuchte abziehen. Den Waschwasserschlauch (B) durch die Öffnung im Heckklappenblech durchziehen und an der hochgesetzten Bremsleuchte anschließen. Am Waschwasserschlauch (B) dann den Waschwasserschlauch für die hochgesetzte Bremsleuchte anschließen -Detail Abb. 6-.
- > Die Clips für den Waschwasserschlauch ins Blech auf der linken Seite der Heckklappe einclippen -Detail Abb. 7-, den Schlauch zwischen dem Außen- und Innenblech auf der linken Seite der Heckklappe führen -Detail Abb. 8-, weiter diesen parallel zur bestehenden Elektroinstallation zum Griff führen -Detail Abb. 9-, den Schlauch am Griff anschließen -Detail Abb. 10-.
- > Den Waschwasserschlauch sorgfältig ausrichten und mit den Kabelbindern (J) am bestehenden Leitungsstrang in einem Abstand von 10 - 15 cm befestigen.

**Abb. 11, 12, 13, 14, 15****Durchziehen des elektrischen Leitungsstrangs (A) (nachstehend nur Leitungsstrang) von der rechten Durchführung für die Elektroinstallation der Heckklappe zum Griff**

- > Den Leitungsstrang (A) zwischen dem Dach und der Karosserie, weiter durch die Öffnung in der Karosserie in die rechte Durchführung für die Elektroinstallation der Heckklappe, durch die Durchführung und dann durch die Öffnung im Blech auf der rechten Seite der Heckklappe durchziehen -Detail Abb. 11-.
- > An die Leitungen des Leitungsstrangs (A) den 8-poligen Stecker (E) -Detail Abb. 12- wie folgt anschließen.  
Die orange/ braune Leitung an PIN 8 anschließen.  
Die orange/ violette Leitung an PIN 4 anschließen.  
Die braune Leitung an PIN 5 anschließen.  
Die rot/ weiße Leitung an PIN 1 anschließen.
- > Den Leitungsstrang auf der rechten Seite der Heckklappe parallel zur bestehenden Elektroinstallation zum Griff führen -Detail Abb. 13-.
- > Die zugehörigen Stecker des Leitungsstrangs (A) an den Steckern des Griffs (C) aufstecken -Details Abb. 15- und dann in die Öffnungen im Heckklappenblech einclippen -Pfeile Abb. 14-.
- > Den Leitungsstrang sorgfältig ausrichten und mit den Kabelbindern (J) am bestehenden Leitungsstrang in einem Abstand von 10 - 15 cm befestigen.



**Hinweis. Den Leitungsstrang mit größtmöglicher Vorsicht durchziehen, um Schäden am Leitungsstrang ggf. an den Steckern und an der Durchführung der Elektroinstallation der Heckklappe zu vermeiden.**

**Abb. 16**

- > Nach der Befestigung des Leitungsstrangs diesen im Bereich des Ein- und Ausgangs in die/ aus der Durchführung für die Elektroinstallation der Heckklappe mit einem geeigneten scheuerfesten Band und von der Durchführung für die Elektroinstallation der Heckklappe in einer Länge von ca. 70 cm mit einem weichen Textilband umwickeln. Die gelöste Durchführung für die Elektroinstallation der Heckklappe wieder einclippen.





## Verlegung des Leitungsstrangs im Fahrzeuginnenraum:

### Abb. 17A, 18A

#### Linkslenker.

- > Die Dachverkleidung so weit wie erforderlich äußerst vorsichtig abbiegen (darf nicht beschädigt werden), sodass der Leitungsstrang zwischen dem Dach und der Karosserie zur rechten D-Säule durchgezogen werden kann. Weiter den Leitungsstrang parallel zur bestehenden Elektroinstallation im Fahrzeugkofferraum führen.

#### Masseverbindung

- > Die Masseöse der braunen Leitung zur Masseschraube an der D-Säule führen und an der Masseschraube anschließen -Abb. 18A, Pfeil-. Die Mutter mit 9 Nm festziehen.

### Abb. 17B, 18B

#### Rechtslenker.

- > Die Dachverkleidung so weit wie erforderlich äußerst vorsichtig abbiegen (darf nicht beschädigt werden), sodass der Leitungsstrang zwischen dem Dach und der Karosserie zur linken D-Säule durchgezogen werden kann. Weiter den Leitungsstrang parallel zur bestehenden Elektroinstallation im Fahrzeugkofferraum führen.

#### Masseverbindung

- > Die Masseöse der braunen Leitung zur Masseschraube an der C-Säule führen und an der Masseschraube anschließen -Abb. 18B, Pfeil-. Die Mutter mit 9 Nm festziehen.

### Abb. 19A, 19B

- > Den Leitungsstrang (A) auf der Beifahrerseite aus dem Kofferraum, parallel zum hinteren Radhaus, zum Fahrzeugschweller, bis zur A-Säule verlegen.



**Hinweis.** Im Kofferraum, am Radhaus, am Fahrzeugschweller und an der A-Säule den Leitungsstrang sorgfältig verlegen und am bestehenden fahrzeugeigenen Leitungsstrang mit den Kabelbindern (J) in einem Abstand von 10 - 15 cm befestigen.

### Abb. 20A, 20B

Der Verlegungsplan des Leitungsstrangs (A) im Bereich unter der Schalttafel.

### Abb. 21A, 22A, 23A, 24A

#### Linkslenker.

- > Den Leitungsstrang (A) parallel zur A-Säule -Abb. 21A-, zum Leitungsstrang des Steuergeräts für Informationselektronik MIB in den Bereich des Ablagefachs auf der Beifahrerseite verlegen -Abb. 22A-.
- > Die Leitung des Leitungsstrangs für den Anschluss an den Sicherungshalter, aus dem Bereich des Ablagefachs auf der Beifahrerseite, parallel zum Modulträger bis zum Mitteltonnel, durch die Mittelkonsole zur Fahrerseite und weiter zum Sicherungshalter führen.



**Hinweis.** Im Bereich unter der Schalttafel den Leitungsstrang sorgfältig verlegen und am bestehenden fahrzeugeigenen Leitungsstrang mit den Kabelbindern (J) und an geeigneten Stellen am Modulträger mit den aufsteckbaren Kabelbindern (K) befestigen -Abb. 23A, 24A-.

DE





## Abb. 21B

### Rechtslenker.

- > Den Leitungsstrang von der A-Säule hinter dem Halter des BCM-Steuergeräts und des Sicherungshalters RACK zum Modulträger, weiter parallel zum Modulträger bis zum Leitungsstrang des Steuergeräts für Informationselektronik verlegen.

DE

## Abb. 25

### Sicherungshalter

- > Die Hülse der rot/ weißen Leitung des Leitungsstrangs laut Stromlaufplan in den Sicherungshalter am Steckplatz 18A einschieben. In den belegten Steckplatz die Sicherung 7,5A MINI (H) einschieben.

### Der Anschluss des Kamera-Leitungsstrangs am Steuergerät für Informationselektronik.

- > Vom Steuergerät für Informationselektronik (im Ablagefach auf der Beifahrerseite) den „quadlock“-Stecker abziehen und die Leitungen des Leitungsstrangs laut Stromlaufplan wie folgt anschließen.

Die weiße Leitung des Leitungsstrangs am blauen Stecker (quadlock) PIN 6 und die schwarze Leitung am blauen Stecker (quadlock) PIN 12 anschließen.

Die orange/ violette Leitung aus dem grauen Stecker ŠKODA (quadlock) PIN 6 herausnehmen, diese an PIN 1 des Hilfssteckers (D) anschließen. Die orange/ braune Leitung aus dem grauen Stecker ŠKODA (quadlock) PIN 12 herausnehmen, diese an PIN 2 des Hilfssteckers (D) anschließen.

Am frei gewordenen PIN 6 die orange/ violette Leitung des Leitungsstrangs anschließen.

Am frei gewordenen PIN 12 die orange/ braune Leitung des Leitungsstrangs anschließen.

Über den Stecker (D) das Schaumgummistück ziehen und den Stecker am zugehörigen Stecker des Leitungsstrangs aufstecken, den Leitungsstrang sorgfältig verlegen und am bestehenden fahrzeugeigenen Leitungsstrang mit den Kabelbindern (J) befestigen.



**Hinweis. Den Leitungsstrang so verlegen, dass dieser an den Kanten der Schalttafelkonsole nicht beschädigt werden kann.**

**Am Heizgerät (hinter dem Ablagefach auf der Beifahrerseite) den Leitungsstrang der Rückfahrkamera an der bestehenden Elektroinstallation und am Modulträger des Fahrzeugs so befestigen, dass dieser den beweglichen Teil des Heizgeräts (Klappe) nicht berühren kann.**

**Unter der Schalttafel die Leitungen am Sicherungshalter mit Kabelbindern so befestigen, dass diese sich nicht lösen können. Dadurch wird eine Kollision mit anderen unter der Schalttafel befindlichen Bauteilen (Knieairbag, Pedale, Lenksäule u. Ä. bei Linkslenkern und Ablagefach auf der Beifahrerseite bei Rechtslenkern) vermieden.**

**Die Funktion des Knieairbags, der Pedale sowie der anderen unter der Schalttafel befindlichen Bauteile darf keinesfalls beeinträchtigt werden.**

**Gleichzeitig muss die Möglichkeit bestehen bleiben, den Sicherungshalter zu lösen.**





Die Verlegung des Leitungsstrangs (A) sowie die Befestigung sämtlicher Leitungen prüfen. Die Leitungen müssen so befestigt werden, dass diese nicht beschädigt werden können und keine Störgeräusche während der Fahrt entstehen.

Nach Abschluss der Montage alle ausgebauten Teile laut Reparaturleitfaden wieder einbauen. Die Fahrzeugbatterie anklemmen und alle Arbeitsschritte bezüglich des Ab- und Wiederanklebens der Batterie durchführen.

## Die Rückfahrkamera aktivieren

DE

**Die geführte Fehlersuche durchführen.**

- > Die Funktion „Softwareversionsmanagement (SVM)“ aktivieren. In diesem Menü die Funktion 3 - die so genannte „Um-/Nachtlösung durchführen“ wählen - siehe Abb. 26.
- > Den 5-stelligen Maßnahmencode (ist dem Ersatzteilkatalog „ETKA“ zu entnehmen) eingeben und quittieren.
- > Die Diagnose in gewohnter Weise beenden.

**Die Grundeinstellung der Rückfahrkamera laut Reparaturleitfaden ŠKODA durchführen.**

**Die Funktion der Rückfahrkamera prüfen.**

*Die Funktionsbeschreibung der Rückfahrkamera sowie die Anzeige des überwachten Bereichs sind der Betriebsanleitung - Kapitel Assistenzsysteme/ Einparkhilfe zu entnehmen.*





## Cámara de marcha atrás

Los accesorios están previstos para un montaje profesional. ŠKODA AUTO recomienda encargar el montaje a un concesionario.

### Uso

El kit está previsto para los vehículos KODIAQ (NS) cuyo equipamiento incluya el sistema MIB Amundsen, Bolero o Columbus.

El kit 566 054 634 está previsto para los vehículos KODIAQ (NS) con el volante en el lado izquierdo.

El kit 567 054 634 está previsto para los vehículos KODIAQ (NS) con el volante en el lado derecho.



**Nota: Las figuras del manual ofrecen información de carácter general relativa al montaje. Estas pueden diferir en algunos detalles de los lugares de montaje en el vehículo correspondiente. En el manual se representa y se describe el montaje de la cámara de marcha atrás del vehículo ŠKODA KODIAQ (NS) con el volante en el lado izquierdo. El proceso de montaje de la cámara de marcha atrás para los vehículos KODIAQ (NS) con el volante en el lado derecho es idéntico, a excepción de las diferencias que se ilustran en las figs. con el índice B.**

### Lista de piezas del kit (fig. 1)

Pieza	Unidades	Posición
Ramal de cables completo	1	A
Manguera de agua de lavado	1	B
Empuñadura empotrada con cámara de marcha atrás	1	C
Conector auxiliar de 3 polos	1	D
Conector auxiliar de 8 polos	1	E
Soporte de enchufe	1	F
Pieza de gomaespuma	1	G
Fusible de 7,5 A MINI	1	H
Brida sujetacables:		
Para la variante con el volante en el lado izquierdo	45	J
Para la variante con el volante en el lado derecho	40	J
Brida sujetacables acoplable (solo para la variante con el volante en el lado izquierdo)	5	K
Instrucciones de montaje	1	

### Herramientas especiales

Kit cortador  
Dispositivo auxiliar para la tracción de cables

### Advertencias de montaje importantes

*Al hacer pasar una parte del ramal de cables (A) a través del pasacables para la instalación eléctrica del portón trasero, se debe proceder de la manera habitual en el taller y con la máxima precaución para evitar posibles daños en el ramal de cables, en el pasacables, así como en la instalación eléctrica del portón trasero.*

### Proceso de montaje

*La batería del vehículo debe permanecer desembornada durante el montaje.*

ES





*El desmontaje y el nuevo montaje de las distintas piezas se deben llevar a cabo conforme a las instrucciones que figuran en la guía de reparación de ŠKODA.*

**Deben desmontarse las siguientes piezas:**

- › asidero del portón trasero,
- › revestimiento superior e inferior del portón trasero,
- › revestimiento del montante D a derecha e izquierda,
- › revestimiento de la cerradura del portón trasero,
- › clips para el revestimiento del techo,
- › caja de herramientas (si hay una tercera fila de asientos),
- › tercera fila de asientos (si la hay),
- › compartimento guardabultos en el lado del acompañante,
- › unidad de control de la electrónica de información MIB.

**En las variantes con el volante a la izquierda, se deben montar las siguientes piezas en el lado derecho (en el sentido de la marcha):**

- › revestimiento del maletero,
- › tapadera para los rieles guía de la banqueta de los asientos traseros,
- › revestimiento superior del montante C,
- › revestimiento de la talonera en la puerta trasera y en la puerta delantera,
- › revestimiento inferior del montante A.

**En el caso de vehículos con volante a la izquierda se deben desmontar las siguientes:**

- › cubierta lateral derecha e izquierda del tablero de mandos,
- › revestimiento lateral de la consola central, lado izquierdo y derecho,
- › compartimento guardabultos en el lado del conductor,
- › revestimiento en el lado del conductor,
- › airbag para las rodillas (si está incluido en el equipamiento del vehículo).

**En las variantes con el volante a la derecha, se deben montar las siguientes piezas en el lado izquierdo (en el sentido de la marcha):**

- › revestimiento del maletero,
- › tapadera para los rieles guía de la banqueta de los asientos traseros,
- › revestimiento superior del montante C,
- › revestimiento de la talonera en la puerta trasera y en la puerta delantera,
- › revestimiento inferior del montante A.

**Se deben soltar las piezas siguientes:**

- › pasacables derecho para la instalación eléctrica del portón trasero,
- › revestimiento del techo,
- › portafusibles.

**Figs. 2, 3**

**Plano de tendido de la manguera de agua de lavado (B) y del ramal de cables (A): tender y conectar la manguera y todos los cables guiándose por las figuras correspondientes.**

**Fig. 4**

**Empuñadura empotrada con cámara de marcha atrás**

- › Desmontar la empuñadura del mecanismo de apertura del portón trasero y separar las conexiones por enchufe.
- › En la empuñadura empotrada con la cámara de marcha atrás (C) (en lo sucesivo, simplemente «empuñadura empotrada»), enchufar el conector de la instalación eléctrica existente, posicionar la empuñadura empotrada y montarla en la abertura del portón trasero.

ES



**Fig. 5**

**Plano de tendido de la manguera de agua de lavado (B) y del ramal de cables (A) en el portón trasero: tender y conectar la manguera y todos los cables guiándose por las figuras correspondientes.**

**Figs. 6, 7, 8, 9 y 10****Manguera de agua de lavado**

- > Soltar el soporte de enchufe de la chapa del portón trasero y retirar la manguera de agua de lavado para la luz de freno superior. Pasar la manguera de agua de lavado (B) por la abertura de la chapa del portón trasero y conectarla a la luz de freno superior. A continuación, conectar la manguera de agua de lavado (B) para la luz de freno superior -detalle de la fig. 6-.
- > Fijar los clips para la manguera de agua de lavado en la chapa, en el lado izquierdo del portón trasero -detalle de la fig. 7-, guiar la manguera entre la chapa exterior e interior por el lado izquierdo del portón trasero -detalle de la fig. 8-, seguir guiándola en paralelo a la instalación eléctrica existente hacia la empuñadura -detalle de la fig. 9- y conectar la manguera a la empuñadura -detalle de la fig. 10-.
- > Alinear con cuidado la manguera de agua de lavado y fijarla con las bridas sujetacables (J) al ramal de cables existente a una distancia de 10-15 cm.

**Figs. 11, 12, 13, 14 y 15****Tendido del ramal de cables eléctrico (A) (en adelante, «ramal de cables») desde el pasacables derecho para la instalación eléctrica del portón trasero hasta la empuñadura**

- > Pasar el ramal de cables (A) entre el techo y la carrocería, después por la abertura de la carrocería al pasacables derecho para la instalación eléctrica del portón trasero, a través del pasacables y, después, a través de la abertura de la chapa en el lado derecho del portón trasero -detalle de la fig. 11-.
- > Conectar el conector de 8 polos (E) a los cables del ramal de cables (A) -detalle de la fig. 12- como se indica a continuación.
  - Conectar el cable naranja/marrón al PIN 8.
  - Conectar el cable naranja/violeta al PIN 4.
  - Conectar el cable marrón al PIN 5.
  - Conectar el cable rojo/blanco al PIN 1.
- > Guiar el ramal de cables por el lado derecho del portón trasero en paralelo a la instalación eléctrica existente hacia la empuñadura -detalle de la fig. 13-.
- > Conectar los conectores correspondientes del ramal de cables (A) a los conectores de la empuñadura (C) -detalles de la fig. 15- y, después, sujetarlos con clips en las aberturas de la chapa del portón trasero -flechas de la fig. 14-.
- > Alinear con cuidado el ramal de cables y fijarlo con las bridas sujetacables (J) al ramal de cables existente a una distancia de 10-15 cm.



**Nota: Hacer pasar el ramal de cables con el máximo cuidado posible, a fin de evitar daños en el ramal de cables, los conectores y el pasacables de la instalación eléctrica del portón trasero.**

**Fig. 16**

- > Después de fijar el ramal de cables, encintarlo por la zona de la entrada/salida hacia el interior/exterior del pasacables para la instalación eléctrica del portón trasero con una cinta resistente al rozamiento, y desde el pasacables para la instalación eléctrica del portón trasero, encintar unos 70 cm con una cinta textil blanda. Volver a fijar con clips el pasacables para la instalación eléctrica del portón trasero, anteriormente soltado.



## Tendido del ramal de cables en el habitáculo del vehículo:

### Figs. 17A y 18A

#### Vehículos con volante a la izquierda

- > Doblar con cuidado el revestimiento del techo hasta donde sea necesario (sin dañarlo) para poder pasar el ramal de cables entre el techo y la carrocería hasta el montante D del lado derecho. Guiar el ramal de cables en paralelo a la instalación eléctrica existente hacia el interior del maletero del vehículo.

#### Conexión de masa

- > Guiar la argolla de masa del cable marrón hasta el tornillo de masa situado en el montante D y conectarla al tornillo de masa -fig. 18A, flecha-. Apretar la tuerca con 9 Nm.

ES

### Figs. 17B y 18B

#### Vehículos con volante a la derecha

- > Doblar con cuidado el revestimiento del techo hasta donde sea necesario (sin dañarlo) para poder pasar el ramal de cables entre el techo y la carrocería hasta el montante D del lado izquierdo. Guiar el ramal de cables en paralelo a la instalación eléctrica existente hacia el interior del maletero del vehículo.

#### Conexión de masa

- > Guiar la argolla de masa del cable marrón hasta el tornillo de masa situado en el montante C y conectarla al tornillo de masa -fig. 18B, flecha-. Apretar la tuerca con 9 Nm.

### Figs. 19A y 19B

- > Tender el ramal de cables (A) en el lado del acompañante desde el maletero, en paralelo al pasarruedas trasero y a la talonera hasta el montante A.



**Nota: Tender el ramal de cables con cuidado en el maletero, el pasarruedas, la talonera y el montante A, y fijarlo al ramal de cables existente propio del vehículo utilizando las bridas sujetacables (J) con una separación de 10 a 15 cm.**

### Figs. 20A y 20B

Plano de tendido del ramal de cables (A) en la zona debajo del tablero de mandos.

### Figs. 21A, 22A, 23A y 24A

#### Vehículos con volante a la izquierda

- > Tender el ramal de cables (A) en paralelo al montante A -fig. 21A- hacia el ramal de cables de la unidad de control de la electrónica de información MIB en la zona del compartimento guardaobjetos en el lado del acompañante -fig. 22A-.
- > Guiar el cable del ramal de cables para la conexión al portafusibles desde la zona del compartimento guardaobjetos en el lado del acompañante, en paralelo al portamódulos, hasta el túnel central, a través de la consola central hacia el lado del conductor y, posteriormente, hasta el portafusibles.



**Nota: En la zona debajo del tablero de mandos, tender con cuidado el ramal de cables y fijarlo al ramal de cables existente propio del vehículo con las bridas sujetacables (J) y en los puntos correspondientes del portamódulos con las bridas sujetacables acoplables (K) -figs. 23A y 24A-.**





**Fig. 21B**

**Vehículos con volante a la derecha**

- > Tender el ramal de cables desde el montante A detrás del soporte de la unidad de control BCM y del portafusibles RACK hacia el portamódulos, y desde allí, hacia el ramal de cables de la unidad de control de la electrónica de información, en paralelo al portamódulos.

**Fig. 25**

**Portafusibles**

- > Introducir el casquillo del cable rojo/blanco del ramal de cables según el esquema de circuitos en el punto de conexión 18A del portafusibles. Introducir el fusible de 7,5 A MINI (H) en el punto de conexión ocupado.

**Conexión del ramal de cables de la cámara en la unidad de control de la electrónica de información.**

- > Extraer el conector «quadlock» de la unidad de control de la electrónica de información (en el compartimento guardaobjetos del lado del acompañante) y conectar los cables del ramal de cables según el esquema de circuitos tal como se describe a continuación.

Conectar el cable blanco del ramal de cables al PIN 6 del conector azul (quadlock), y el cable negro al PIN 12 del conector azul (quadlock).

Extraer el cable naranja/violeta del PIN 6 del conector gris ŠKODA (quadlock) y conectarlo al PIN 1 del conector auxiliar (D). Extraer el cable naranja/marrón del PIN 12 del conector gris ŠKODA (quadlock) y conectarlo al PIN 2 del conector auxiliar (D).

En el PIN 6 que ha quedado libre, conectar el cable naranja/violeta del ramal de cables. En el PIN 12 que ha quedado libre, conectar el cable naranja/marrón del ramal de cables.

Tirar de la pieza de gomaespuma a través del conector (D) y enchufar el conector al conector correspondiente del ramal de cables, tender con cuidado el ramal de cables y fijarlo con las bridas sujetacables (J) al ramal de cables existente propio del vehículo.



**Nota: Tender el ramal de cables de tal forma que no se pueda dañar en los bordes de la consola del tablero de mandos.**

**En la zona del calefactor (detrás del compartimento guardaobjetos en el lado del acompañante), sujetar el ramal de cables de la cámara de marcha atrás a la instalación eléctrica existente y al portamódulos del vehículo de tal forma que no pueda tocar la parte móvil del calefactor (tapa).**

**Fijar los cables en el portafusibles con bridas sujetacables, debajo del tablero de mandos, de modo que no puedan soltarse. De este modo, se evita una colisión con otros componentes situados debajo del salpicadero (airbag para las rodillas, pedales, columna de dirección, etc., en el caso de vehículos con volante a la izquierda, y compartimento guardaobjetos en el lado del acompañante en el caso de vehículos con volante a la derecha).**

**De ningún modo se puede mermar el funcionamiento del airbag para rodillas, de los pedales, así como de los demás componentes situados debajo del tablero de mandos.**

**Al mismo tiempo, debe seguir siendo posible soltar el portafusibles.**

ES







Comprobar el tendido del ramal de cables (A), así como la sujeción de todos los cables. Los cables se deben sujetar de tal modo que no se puedan dañar y que no provoquen ruidos molestos durante la marcha.

Una vez finalizado el montaje, volver a montar de nuevo todas las piezas desmontadas siguiendo lo indicado en la guía de reparación. Embornar la batería del vehículo y llevar a cabo todos los pasos de trabajo relacionados con la desconexión y reconexión de los bornes de la batería.

### Activar la cámara de marcha atrás

Ejecutar la localización de averías guiada.

- > Activar la función «Administración de la versión de software (SVM)». Elegir la función 3 de este menú, denominada «Implementar solución de reequipamiento/equipamiento a posteriori»; véase la fig. 26.
- > Introducir y confirmar el código de 5 dígitos de la medida (se debe consultar en el catálogo de piezas de recambio «ETKA»).
- > Terminar el diagnóstico de la manera habitual.

Efectuar el ajuste básico de la cámara de marcha atrás conforme a las indicaciones que figuran en la guía de reparación de ŠKODA.

Comprobar el funcionamiento de la cámara de marcha atrás.

*La descripción de funcionamiento de la cámara de marcha atrás, así como la indicación de la zona supervisada, se deben consultar en el capítulo «Sistemas de asistencia/Ayuda de estacionamiento» del manual de instrucciones.*

ES





## Caméra de recul

Les accessoires sont conçus pour un montage en bonne et due forme. ŠKODA AUTO recommande de faire procéder au montage par un partenaire agréé.

### Utilisation

Le kit est destiné aux véhicules KODIAQ (NS) équipés du système MIB Amundsen, Bolero, Columbus.

Le kit 566 054 634 est destiné aux véhicules KODIAQ (NS) à conduite à droite.

Le kit 567 054 634 est destiné aux véhicules KODIAQ (NS) à conduite à gauche.

FR



**Remarque. Les illustrations figurant dans la notice fournissent des informations générales pour le montage. Certains détails peuvent différer des emplacements d'installation du véhicule concerné ! La notice présente et décrit le montage de la caméra de recul sur le véhicule ŠKODA KODIAQ (NS) à conduite à droite. La procédure de montage pour les véhicules KODIAQ (NS) à conduite à gauche est identique, sauf concernant les différences illustrées avec l'indice B.**

### Nomenclature du kit (fig. 1)

Élément	Quantité	Repère
Faisceau de câbles complet	1	A
Flexible de lave-glace	1	B
Poignée avec caméra de recul	1	C
Connecteur auxiliaire 3 pôles	1	D
Connecteur auxiliaire 8 pôles	1	E
Support de connecteur	1	F
Élément en caoutchouc mousse	1	G
Fusible 7,5 A MINI	1	H
Attache-câble :		
Pour véhicule à conduite à droite	45	J
Pour véhicule à conduite à gauche	40	J
Attache-câbles emboîtable (uniquement pour véhicule à conduite à droite)	5	K
Notice de montage	1	

### Outils spéciaux

Kit d'emporte-pièces

Tire-câble

### Consignes de montage importantes

*Lors du passage d'une partie du faisceau de câbles (B) via la traversée pour l'installation électrique du hayon, procéder conformément aux procédures de l'atelier et avec la plus grande prudence, afin d'éviter tout endommagement du faisceau de câbles, de la traversée et de l'installation électrique existante du hayon.*

### Procédure de montage

*Pendant la pose, la batterie du véhicule doit être débranchée.*

*Effectuer la dépose et la repose des différents éléments conformément aux instructions du manuel de réparation ŠKODA.*





**Les éléments suivants doivent être déposés :**

- › Poignée sur le hayon,
- › Garnissage supérieur et inférieur de hayon,
- › Garnissage de montant D gauche et droit,
- › Garnissage de gâche de hayon,
- › Clips de garnissage de pavillon,
- › Boîte à outils (en cas de 3e rangée de sièges),
- › 3e rangée de sièges (si installée),
- › Compartiment vide-poche côté passager avant,
- › Calculateur pour l'électronique d'information MIB.

**Pour les véhicules à conduite à droite, déposer les éléments suivants sur le côté droit (vu dans le sens de la marche) :**

- › Garnissage du coffre à bagages,
- › Cache de rail de guidage pour la banquette arrière,
- › Garnissage supérieur de montant C,
- › Garnissage de bas de caisse sur les portes arrière et avant,
- › Garnissage inférieur de montant A.

**Pour les véhicules à conduite à droite, les éléments suivants doivent être déposés :**

- › Cache latéral gauche et droit de planche de bord,
- › Garnissage latéral gauche et droit de console centrale,
- › Compartiment vide-poche côté conducteur,
- › Garnissage côté conducteur,
- › Airbag genoux (si installé).

**Pour les véhicules à conduite à gauche, déposer les éléments suivants sur le côté gauche (vu dans le sens de la marche) :**

- › Garnissage du coffre à bagages,
- › Cache de rail de guidage pour la banquette arrière,
- › Garnissage supérieur de montant C,
- › Garnissage de bas de caisse sur les portes arrière et avant,
- › Garnissage inférieur de montant A.

**Les éléments suivants doivent être détachés :**

- › Traversée droite pour l'installation électrique du hayon,
- › Garnissage de pavillon,
- › Boîte porte-fusible.

**Fig. 2, 3**

**Plan d'implantation du flexible de lave-glace (B) et du faisceau de câbles (A) - faire cheminer et raccorder le flexible et les câbles conformément aux figures correspondantes.**

**Fig. 4**

**Poignée avec caméra de recul**

- › Déposer la poignée de déverrouillage du hayon et débrancher les connecteurs.
- › Sur la poignée avec caméra de recul (C) (ci-après dénommée poignée), brancher le connecteur de l'installation électrique existante, positionner la poignée et installer dans l'ouverture dans le hayon.

**Fig. 5**

**Plan d'implantation du flexible de lave-glace (B) et du faisceau de câbles (A) dans le hayon - faire cheminer et raccorder le flexible et les câbles conformément aux figures correspondantes.**

FR



**Fig. 6, 7, 8, 9, 10****Flexible de lave-glace**

- > Détacher le support de connecteur de la tôle du hayon et le flexible de lave-glace pour troisième feu stop. Faire passer le flexible de lave-glace (B) par l'ouverture dans la tôle du hayon et le raccorder sur le troisième feu stop. Au niveau du flexible de lave-glace (B), raccorder ensuite le flexible de lave-glace pour troisième feu stop (encadré de la fig. 6).
- > Clipser les clips du flexible de lave-glace dans la tôle sur le côté gauche du hayon (encadré de la fig. 7), faire cheminer le flexible entre la tôle extérieure et la tôle intérieure sur le côté gauche du hayon (encadré de la fig. 8), puis parallèlement à l'installation électrique existante jusqu'à la poignée (encadré de la fig. 9), et enfin raccorder sur la poignée (encadré de la fig. 10).
- > Orienter soigneusement le flexible de lave-glace et fixer avec les attache-câbles (J) sur le faisceau de câbles existant à des intervalles de 10 à 15 cm.

**Fig. 11, 12, 13, 14, 15****Passage du faisceau de câbles électriques (A) (ci-après dénommé faisceau de câbles) de la traversée droite pour l'installation électrique du hayon vers la poignée**

- > Faire cheminer le faisceau de câbles (A) entre le pavillon et la carrosserie, puis à travers l'ouverture dans la carrosserie dans la traversée droite pour l'installation électrique du hayon, via la traversée puis à travers l'ouverture dans la tôle sur le côté droit du hayon (encadré de la fig. 11).
- > Raccorder comme suit le connecteur 8 pôles (E) sur les câbles du faisceau (A) (encadré de la fig. 12).  
Raccorder le câble orange/marron sur la BROCHE 8.  
Raccorder le câble orange/violet sur la BROCHE 4.  
Raccorder le câble marron sur la BROCHE 5.  
Raccorder le câble rouge/blanc sur la BROCHE 1.
- > Faire cheminer le faisceau de câbles sur le côté droit du hayon, parallèlement à l'installation électrique existante jusqu'à la poignée (encadré de la fig. 13).
- > Brancher les connecteurs associés du faisceau de câbles (A) sur les connecteurs de la poignée (C) (encadrés de la fig. 15), puis clipser dans les ouvertures de la tôle du hayon (flèches de la fig. 14).
- > Orienter soigneusement le faisceau de câbles et fixer avec les attache-câbles (J) sur le faisceau de câbles existant à des intervalles de 10 à 15 cm.



**Remarque. Faire passer le faisceau de câbles avec le plus grand soin afin de ne pas endommager ce dernier, et le cas échéant les connecteurs et la traversée de l'installation électrique du hayon.**

**Fig. 16**

- > Après la fixation du faisceau de câbles, l'envelopper dans la zone d'entrée et de sortie de la traversée de l'installation électrique du hayon avec une bande résistante à l'abrasion appropriée et, en sortie de la traversée, l'envelopper avec une bande textile souple sur une longueur d'env. 70 cm. Reclipser la traversée détachée pour l'installation électrique du hayon.



## Implantation du faisceau de câbles dans l'habitacle :

### Fig. 17A, 18A

#### Véhicules à conduite à droite.

- › Replier très soigneusement le garnissage de pavillon aussi loin que nécessaire (sans l'endommager), afin que le faisceau de câbles puisse cheminer entre le pavillon et la carrosserie jusqu'au montant D droit. Ensuite, faire passer le faisceau de câbles parallèlement à l'installation électrique existante dans le coffre à bagages.

#### Raccordement à la masse

- › Faire cheminer l'œillet de masse du câble marron jusqu'à la vis de masse sur le montant D et raccorder à celle-ci (flèche dans l'encadré de la fig. 18A). Serrer l'écrou selon un couple de 9 Nm.

### Fig. 17B, 18B

#### Véhicules à conduite à gauche.

- › Replier très soigneusement le garnissage de pavillon aussi loin que nécessaire (sans l'endommager), afin que le faisceau de câbles puisse cheminer entre le pavillon et la carrosserie jusqu'au montant D gauche. Ensuite, faire passer le faisceau de câbles parallèlement à l'installation électrique existante dans le coffre à bagages.

#### Raccordement à la masse

- › Faire cheminer l'œillet de masse du câble marron jusqu'à la vis de masse sur le montant C et raccorder à celle-ci (flèche dans l'encadré de la fig. 18B). Serrer l'écrou selon un couple de 9 Nm.

### Fig. 19A, 19B

- › Faire cheminer le faisceau de câbles (A) sur le côté passager avant en sortie du coffre à bagages, parallèlement au passage de roue arrière, jusqu'au bas de caisse et jusqu'au montant A.



**Remarque. Dans le coffre à bagages, sur le passage de roue, sur le bas de caisse et sur le montant A, positionner soigneusement le faisceau de câbles et fixer sur le faisceau de câbles existant du véhicule avec les attache-câbles (J) à intervalles de 10 à 15 cm.**

### Fig. 20A, 20B

Plan d'implantation du faisceau de câbles (A) dans la zone sous la planche de bord.

### Fig. 21A, 22A, 23A, 24A

#### Véhicules à conduite à droite.

- › Faire cheminer le faisceau de câbles (A) parallèlement au montant A (fig. 21A), jusqu'au faisceau de câbles du calculateur pour l'électronique d'informations MIB dans la zone du compartiment vide-poche côté passager avant (fig. 22A).
- › En sortie du compartiment vide-poche côté passager avant, faire passer le câble du faisceau pour le branchement sur la boîte porte-fusibles parallèlement au support de module jusqu'au tunnel médian, via la console centrale jusqu'au côté conducteur, puis jusqu'à la boîte porte-fusibles.



**Remarque. Faire cheminer soigneusement le faisceau de câbles dans la zone sous la planche de bord et fixer sur le faisceau de câbles existant du véhicule avec les attache-câbles emboîtables (K) ainsi qu'aux emplacements appropriés du support de module (fig. 23A, 24A).**

FR





### Fig. 21B

#### Véhicules à conduite à gauche.

- > Installer le faisceau de câbles du montant A derrière le support du calculateur BCM et de la boîte porte-fusibles RACK au support de module, puis parallèlement au support de module jusqu'au faisceau de câbles du calculateur pour l'électronique d'information.

### Fig. 25

#### Boîte porte-fusibles

- > Engager la douille du câble rouge/blanc du faisceau de câbles conformément au schéma de câblage dans la boîte porte-fusibles à l'emplacement 18A. Sur le connecteur câblé, mettre en place le fusible 7,5 A MINI (H).

#### Branchement du faisceau de câbles de caméra sur le calculateur pour l'électronique d'information.

- > Retirer le connecteur "quadlock" du calculateur pour l'électronique d'information (dans le compartiment vide-poche côté passager avant) et connecter les câbles du faisceau de câbles comme suit conformément au schéma de câblage.  
Raccorder le câble blanc du faisceau sur le connecteur bleu (quadlock) BROCHE 6 et le câble noir sur le connecteur bleu (quadlock) BROCHE 12.  
Retirer le câble orange/violet du connecteur ŠKODA gris (quadlock) BROCHE 6 et le raccorder à la BROCHE 1 du connecteur auxiliaire (D). Retirer le câble orange/marron du connecteur ŠKODA gris (quadlock) BROCHE 12 et le raccorder à la BROCHE 2 du connecteur auxiliaire (D)

Raccorder le câble orange/violet du faisceau sur la BROCHE 6 libérée. Raccorder le câble orange/marron du faisceau sur la BROCHE 12 libérée.

Tirer l'élément en caoutchouc mousse sur le connecteur (D) et brancher ce dernier sur le connecteur correspondant du faisceau de câbles, positionner soigneusement le faisceau de câbles et fixer avec les attache-câbles (J) au faisceau de câbles existant du véhicule.



**Remarque. Faire cheminer le faisceau de câbles de telle sorte qu'il ne puisse pas être endommagé sur les arêtes de la console de planche de bord.**

**Au niveau du chauffage (derrière le vide-poche côté passager avant), fixer le faisceau de câbles de la caméra de recul à l'installation électrique existante et sur le support de module du véhicule, de telle sorte qu'il ne puisse pas toucher la partie mobile du chauffage (volet).**

**Sous la planche de bord, fixer les câbles au niveau de la boîte porte-fusibles avec des attache-câbles, de telle sorte qu'ils ne puissent pas se détacher. L'objectif est d'éviter une collision avec d'autres composants sous la planche de bord (airbag genoux, pédales, colonne de direction, etc. pour les véhicules à conduite à droite, ou compartiment vide-poche côté passager avant sur les véhicules à conduite à gauche).**

**Le fonctionnement de l'airbag genoux, des pédales et des autres éléments situés sous la planche de bord ne doit en aucun cas être altéré.**

**Dans le même temps, conserver la possibilité de débrancher la boîte porte-fusibles.**

FR





Contrôler l'implantation du faisceau de câbles (A), ainsi que la fixation de tous les câbles. Les câbles doivent être fixés de telle sorte qu'ils ne puissent pas être endommagés et qu'aucun bruit parasite ne soit généré pendant la conduite.

Une fois l'installation terminée, reposer tous les éléments déposés conformément au manuel de réparation. Brancher la batterie du véhicule et effectuer toutes les opérations associées au débranchement et au branchement de la batterie.

## Activation de la caméra de recul

**Effectuer la recherche de défauts guidée.**

- > Activer la fonction de gestion de version de logiciel (SVM). Dans ce menu, sélectionner la fonction 3 d'exécution de modification/post-équipement (voir la fig. 26).
- > Saisir le code d'action à 5 chiffres (disponible dans le catalogue de pièces de rechange "ETKA") et valider.
- > Terminer le diagnostic selon la procédure habituelle.

**Effectuer le réglage de base de la caméra de recul conformément au manuel de réparation ŠKODA.**

**Contrôler le fonctionnement de la caméra de recul.**

*La description du fonctionnement de la caméra de recul et les informations sur l'affichage du périmètre de surveillance sont disponibles dans la notice d'utilisation - chapitre Systèmes d'assistance/Aide au stationnement.*

FR





## Telecamera di retromarcia

Gli accessori sono destinati al montaggio da parte di personale specializzato. ŠKODA AUTO consiglia di affidarne il montaggio a un'officina autorizzata.

### Utilizzo

Il set è per i veicoli KODIAQ (NS) che sono dotati di sistema MIB Amundsen, Bolero, Columbus.

Il set 566 054 634 è destinato alle vetture KODIAQ (NS) con guida a sinistra.

Il set 5JA 054 634 è destinato alle vetture KODIAQ (NS) con guida a destra.



**Avvertenza. Le illustrazioni nel manuale sono da intendersi solo come elementi di informazione generale per il montaggio. In alcuni dettagli possono essere diverse dalle sedi di montaggio previste sulla vettura! Nelle istruzioni è raffigurato e descritto il montaggio della telecamera posteriore sulla vettura ŠKODA KODIAQ (NS) con guida a sinistra. La procedura di montaggio della videocamera per le vetture KODIAQ (NS) con guida a destra avviene in maniera identica sino alle differenze riportate in Fig. con l'Indice B.**

IT

### Elenco Componenti del set (Fig. 1)

Componente	Numero pezzi	Posizione
Gruppo cavi completo	1	A
Flessibile acqua di lavaggio	1	B
Impugnatura con telecamera per la retromarcia	1	C
Presa ausiliaria a 3 poli	1	D
Presa ausiliaria a 8 polo	1	E
Supporto per spinotto	1	F
Pezzo gommapiuma	1	G
Fusibile 7,5A MINI	1	H
Fascetta per cavi:		
Per guida a sinistra	45	J
Per guida a destra	40	J
Fascetta per cavi innestabile (solo per vetture con guida a sinistra)	5	K
Istruzioni di montaggio	1	

### Attrezzi speciali

Set stampi

Strumento per inserimento cavi

### Avvertenze importanti per il montaggio

*Tirando una parte del fascio di cavi (A) attraverso il passante per l'installazione elettrica del portellone posteriore, si deve agire con la massima cautela per evitare di danneggiare il gruppo di cavi, in corrispondenza del passaggio e sull'impianto elettrico del portellone posteriore già esistente.*

### Procedura di montaggio

*Durante il montaggio è necessario scollegare la batteria della vettura.*







*Lo smontaggio e il successivo montaggio dei singoli componenti devono essere effettuati attenendosi alle indicazioni di ŠKODA nel manuale per le riparazioni.*

**Devono essere smontati i seguenti componenti:**

- > Maniglia sul portellone posteriore,
- > rivestimento superiore e inferiore del portellone,
- > Rivestimento del montante D, sinistra e destra,
- > rivestimento serratura del portellone posteriore,
- > clip per rivestimento tetto,
- > Cassetta degli attrezzi (dove è presente la 3a fila di sedili)
- > 3. Fila di sedili (se del caso),
- > vano portaoggetti lato passeggero,
- > Centralina per l'elettronica informaticaMIB.

**Per le vetture con guida a sinistra sul lato destro (in direzione di marcia) devono essere smontati i seguenti componenti:**

- > rivestimento vano portabagagli,
- > calotta di copertura per il binario del sedile posteriore,
- > rivestimento montante C superiore,
- > rivestimento battitacco, su porta anteriore e posteriore,
- > rivestimento montante A inferiore.

**Per le vetture con guida a sinistra, smontare i seguenti componenti:**

- > Copertura laterale del cruscotto a sinistra e a destra,
- > rivestimento laterale della consolle centrale a sinistra e a destra,
- > Scomparto portaoggetti lato conducente,
- > rivestimento sul lato conducente,
- > Airbag per ginocchia (se presente).

**Per le vetture con guida a destra sul lato sinistro (in direzione di marcia) devono essere smontati i seguenti componenti:**

- > rivestimento vano portabagagli,
- > calotta di copertura per il binario del sedile posteriore,
- > rivestimento montante C superiore,
- > rivestimento battitacco, su porta anteriore e posteriore,
- > rivestimento montante A inferiore.

**Devono essere allentati i seguenti componenti:**

- > passaggio di destra per l'installazione elettrica del portellone,
- > rivestimento tetto,
- > supporto fusibili.

**Fig. 2, 3**

**Il piano di posa del flessibile dell'acqua (B) e del gruppo di cavi (A) - posare e collegare il flessibile e tutti i cavi come da figure.**

**Fig. 4**

**Impugnatura con telecamera per retromarcia**

- > Smontare l'impugnatura di sblocco del portellone posteriore e separare i collegamenti a spina.
- > In corrispondenza dell'impugnatura con telecamera per la retromarcia (C) (di seguito solo impugnatura), montare lo spinotto dell'impianto elettrico esistente, posizionare l'impugnatura e montare nell'apertura prevista nel portellone posteriore.

IT





### Fig. 5

**Il piano di posa del flessibile dell'acqua (B) e del gruppo di cavi (A) nel portellone posteriore - posare e collegare il flessibile e tutti i cavi come da figure.**

### Fig. 7, 8, 9, 10

#### Tubo dell'acqua di lavaggio

- > Allentare il supporto per spinotto dalla lamiera del portellone posteriore ed estrarre il flessibile dell'acqua per le luci dei freni in posizione elevata. Fare passare il tubo dell'acqua di lavaggio (B) attraverso l'apertura presente nella lamiera del portellone posteriore e quindi collegarla alle luci dei freni in posizione elevata. Sul tubo dell'acqua di lavaggio (B) collegare il tubo dell'acqua di lavaggio per le luci dei freni in posizione elevata - Dettaglio Fig. 6-.
- > Innestare le clip per il flessibile dell'acqua nella lamiera sul lato sinistro del portellone posteriore -dettaglio Fig. 7-, fare passare il flessibile tra la lamiera esterna e quella interna, sul lato sinistro del portellone posteriore -dettaglio Fig. 8-, e quindi parallelamente all'impianto elettrico esistente, sino all'impugnatura -dettaglio Fig. 9-. Collegare quindi il flessibile all'impugnatura -Dettaglio Fig. 10-.
- > Allineare accuratamente il flessibile dell'acqua e quindi fissarlo con le fascette per cavi (J) sul gruppo di cavi esistente a una distanza di 10 - 15 cm.

### Fig. 11, 12, 13, 14, 15

**Fare passare il gruppo di cavi (A) (di seguito solo gruppo di cavi) dal passante di destra per l'impianto elettrico del portellone posteriore sino all'impugnatura.**

- > Fare passare il gruppo di cavi (A) tra il tetto e la carrozzeria, poi attraverso l'apertura nella carrozzeria nel passante destro destinato all'impianto elettrico del portellone posteriore, attraverso il passante e infine attraverso l'apertura nella lamiera, sul lato destro del portellone posteriore -dettaglio Fig. 11-.
- > Collegare ai cavi del gruppo di cavi (A) lo spinotto a 8 poli (E) -dettaglio Fig. 12- come segue.  
Collegare il cavo arancione/marrone al PIN 8.  
Collegare il cavo arancione/viola al PIN 4.  
Collegare il cavo marrone al PIN 5.  
Collegare il cavo rosso/bianco al PIN 1.
- > Fare passare il gruppo di cavi sul lato destro del portellone posteriore, parallelamente all'impianto elettrico esistente, sino all'impugnatura -Dettaglio Fig. 13-.
- > Inserire gli spinotti del gruppo di cavi (A) sugli spinotti dell'impugnatura (C) -Dettaglio Fig. 15- e quindi innestarli nelle aperture nella lamiera del portellone posteriore -Freccia Fig. 14-.
- > Allineare accuratamente il gruppo di cavi e quindi fissarlo con le fascette per cavi (J) sul gruppo di cavi esistente a una distanza di 10 - 15 cm.



**Avvertenza. Tirare il fascio di cavi con la massima prudenza, per evitare di danneggiare il gruppo cavi stesso, il connettore, i cavi liberi e al passante dell'impianto elettrico del portellone posteriore.**

### Fig. 16

- > Dopo avere fissato il gruppo di cavi nell'area dell'ingresso e dell'uscita nel passante per l'impianto elettrico del portellone posteriore con un nastro resistente all'abrasione e dal passaggio per l'impianto elettrico del portellone posteriore avvolgere con un nastro in tessuto per una lunghezza di circa 70 cm. Innestare di nuovo il passante per l'impianto elettrico del portellone posteriore.

IT





## Posa del gruppo cavi nell'abitacolo:

### Fig. 17A, 18A

#### Vetture con guida a sinistra.

- > Piegare il rivestimento del tetto per quando necessario, procedendo con la massima prudenza (non danneggiarlo), in maniera tale che il gruppo di cavi possa essere fatto passare tra il tetto e la carrozzeria al montante destro D. Quindi fare passare il gruppo di cavi parallelamente all'impianto elettrico esistente nel bagagliaio.

#### Collegamento di massa

- > Fare passare l'occhiello di massa del cavo marrone alla vite di massa posta sul montante D e collegarlo alla vite di messa a terra -Fig. 18A, freccia-. Stringere i dadi con 9 Nm.

### Fig. 17B, 18B

#### Vetture con guida a destra.

- > Piegare il rivestimento del tetto per quando necessario, procedendo con la massima prudenza (non danneggiarlo), in maniera tale che il gruppo di cavi possa essere fatto passare tra il tetto e la carrozzeria al montante D. Quindi fare passare il gruppo di cavi parallelamente all'impianto elettrico esistente nel bagagliaio.

#### Collegamento di massa

- > Fare passare l'occhiello di massa del cavo marrone alla vite di massa posta sul montante C e collegarlo alla vite di messa a terra -Fig. 18B, freccia-. Stringere i dadi con 9 Nm.

### Fig.. 19A, 19B

- > Posare il gruppo cavi (A) sul lato passeggero procedendo dal vano portabagagli parallelamente al passaruota posteriore, sino alla battuta e al montante centrale.



**Avvertenza. Effettuare la posa nel vano portabagagli, sul passaruota, sul battitacco e sul montante centrale e quindi fissare a distanza di 10 - 15 cm sul gruppo di cavi della vettura, utilizzando le fascette per cavi (J).**

### Fig. 20A, 20B

Lo schema di posa del gruppo di cavi (A) nell'area sotto il cruscotto.

### Fig. 21A, 22A, 23A, 24A

#### Vetture con guida a sinistra.

- > Posare il gruppo di cavi (A) parallelamente al montante centrale -Fig. 21A- al gruppo di cavi della centrali per l'elettronica informatica MIB nell'area del vano portaoggetti sul lato del passeggero -Fig. 22A-.
- > Fare passare il cavo del gruppo di cavi per il collegamento al portafusibili, dall'area del vano portaoggetti sul lato passeggero, parallelamente al supporto del modulo sino al tunnel centrale, attraverso la consolle centrale sino al lato conducente, per poi proseguire al portafusibili.



**Avvertenza. Posare con cautela il gruppo di cavi nell'area sotto il cruscotto e quindi collegarlo all'impianto già esistente utilizzando le fascette per cavi (J), fissandolo nei punti appositi sul supporto del modulo con le fascette innestabili (K) -Fig. 23A, 24A-.**

IT



## Fig. 21B

### Vetture con guida a destra.

- > Posare il gruppo cavi dal montante A dietro il supporto della centralina BCM e del portafusibili RACK sino al supporto del modulo, procedendo parallelamente al supporto modulo, sino al gruppo cavi della centralina per l'elettronica.

## Fig. 25

### Supporto fusibile

- > Inserire il manicotto del cavo rosso/bianco del gruppo cavi come da schema elettrico Fig. 17 nel portafusibili in corrispondenza dello slot 18A. Inserire nello slot occupato il fusibile 7,5A MINI (H).

### Collegamento del gruppo cavi della fotocamera alla centralina per l'elettronica informatica.

- > Dalla centralina per l'elettronica informatica (nel vano portabagagli lato conducente) estrarre il connettore "quadlock" e quindi collegare i cavi del gruppo cavi come da schema elettrico, come segue.

Collegare il cavo bianco del gruppo cavi sullo spinotto blu (quadlock), PIN 6 e il cavo nero sullo spinotto blu (quadlock) PIN 12.

Rimuovere il cavo arancione/viola dallo spinotto grigio ŠKODA (quadlock) PIN 6, collegarlo al PIN 1 del connettore ausiliario (D). Rimuovere il cavo arancione/marrone dallo spinotto grigio ŠKODA (quadlock) PIN 12, collegarlo al PIN 2 del connettore ausiliario (D).

Connettere al PIN 6 liberatosi il cavo arancione/viola del gruppo di cavi. Connettere al PIN 12 liberatosi il cavo arancione/marrone del gruppo di cavi.

Attraverso il connettore (D), tirare l'elemento in gomma e collegare il connettore al connettore corrispondente del gruppo di cavi, allineare accuratamente il gruppo cavi e quindi fissarlo al gruppo cavi esistente, utilizzando delle fascette per cavi (J).



**Avvertenza. Posare il cavo in maniera tale che non danneggi i bordi della consolle della plancia.**

**Sull'elemento di riscaldamento (dietro il vano portaoggetti sul lato conducente) fissare il gruppo cavi della videocamera per retromarcia sull'impianto elettrico esistente della vettura e sul supporto modulo, in maniera tale che questo non vada a toccare l'elemento di riscaldamento (coperchio).**

**Sotto la plancia, fissare i cavi al portafusibili utilizzando le fascette per cavi, in maniera tale che non si staccino. In questo modo si evita una collisione con gli altri componenti presenti sotto il cruscotto (airbag per le ginocchia, pedali, piantone dello sterzo per le vetture con guida a sinistra e vano portaoggetti sul lato conducente per le vetture con guida a destra).**

**La funzione dell'airbag per le ginocchia, dei pedali e degli altri componenti presenti sotto il cruscotto non deve essere compromessa.**

**Allo stesso tempo deve esserci la possibilità di allentare il portafusibili.**



Controllare l'installazione del gruppo di cavi (A) e il fissaggio di tutte le linee. I cavi devono essere fissati in modo tale da non essere danneggiati e da non provocare rumorosità nel corso della marcia.

Una volta terminato il montaggio, procedere a rimontare tutti i componenti secondo le linee guida previste per le riparazioni. Collegare la batteria della vettura ed eseguire tutte le operazioni necessarie per scollegare e ricollegare la batteria.

## Attivare la telecamera di retromarcia

**Eseguire la ricerca guidata dei guasti.**

- > Attivare la funzione "Gestione versioni software (SVM)": All'interno di questo menu selezionare la funzione 3, la c.d. funzione di sostituzione/montaggio successivo - vedere Fig. 26.
- > Inserire il codice a 5 cifre (indicato nel catalogo ricambi "ETKA") e confermare.
- > Terminare l'intervento diagnostico come di consueto.

**La regolazione di base della telecamera per la retromarcia.**

**Controllare il funzionamento della telecamera per la retromarcia.**

*La descrizione funzionale della telecamera per la retromarcia e la visualizzazione della zona monitorata sono contenute nel manuale di istruzioni per l'uso - fare riferimento Sistemi di assistenza/Assistenza al parcheggio.*

IT



## Backkamera

Tillbehörsprodukterna är avsedda för professionell montering. ŠKODA AUTO rekommenderar att du låter en auktoriserad verkstad sköta monteringen.

### Användning

Satsen är avsedd för bilar av modellen KODIAQ (NS) som är utrustade med systemet MIB Amundsen, Bolero, Columbus.

Satsen 566 054 634 är avsedd för bilar av modellen KODIAQ (NS) med vänsterstyrning.

Satsen 567 054 634 är avsedd för bilar av modellen KODIAQ (NS) med högerstyrning.



**Anmärkning. Bilderna i monteringsanvisningen är endast exempel. Vissa detaljer kan skilja sig åt mellan olika fordon! I monteringsanvisningen visas och beskrivs hur monteringen av backkameran går till i ŠKODA KODIAQ (NS) med vänsterstyrning. Monteringsproceduren för att montera backkameran i KODIAQ (NS) med högerstyrning är nästan densamma, med undantag för de olikheter som är utmärkta med bokstaven B på bilderna.**

SV

### Komponentförteckning till satsen (bild 1)

Komponent	Antal	Läge
Komplett kabelstam	1	A
Spolvattenslang	1	B
Skålhandtag med backkamera	1	C
Reservkontakt med 3 stift	1	D
Reservkontakt med 8 stift	1	E
Kontakthållare	1	F
Skumgummibit	1	G
Säkring 7,5 A MINI	1	H
Buntband:		
För vänsterstyrning	45	J
För högerstyrning	40	J
Fästbart buntband (endast för vänsterstyrning)	5	K
Monteringsanvisning	1	

### Specialverktyg

Utstansningsatts  
Dragfjäder till kabel

### Viktiga monteringsanvisningar

*När delar av kabelstammen (A) dras genom genomföringen för bakluckans elsystem måste du vara ytterst försiktig och noga med att arbeta enligt verkstadsrutinerna för att undvika att skada kabelstammen, genomföringen eller bakluckans befintliga elsystem.*

### Monteringsprocedur

*Vid monteringen ska bilens batterianslutningar vara frånkopplade.*

*Demontera och återmontera de olika komponenterna enligt anvisningarna i reparationshandledningen från ŠKODA.*



### **Demontera följande delar:**

- › bakluckans handtag,
- › bakluckans övre och nedre panel,
- › D-stolpens klädsel på vänster och höger sida,
- › bakluckelåsets klädsel,
- › klämmorna till takklädseln,
- › verktygslådan (om en 3:e stolsrad finns),
- › 3:e stolsraden (i förekommande fall),
- › förvaringsfacket på passagerarsidan,
- › styrenheten för informationselektronik MIB.

### **På vänsterstyrda bilar ska följande komponenter demonteras på högersidan (sett i körriktningen):**

- › bagageutrymmets klädsel,
- › täckkåpan till baksätets styrskena,
- › C-stolpens klädsel upptill,
- › tröskelpanelen på bak- och framdörren,
- › A-stolpens klädsel nedtill.

### **Vid vänsterstyrning ska följande komponenter demonteras:**

- › sidoinstrumentpanelen på vänster och höger sida,
- › sidoklädseln på vänster och höger sida av mittkonsolen,
- › förvaringsfacket på förarsidan,
- › klädseln på förarsidan,
- › knåkkrockkudden (om sådan finns).

### **På högerstyrda bilar ska följande komponenter demonteras på vänstersidan (sett i körriktningen):**

- › bagageutrymmets klädsel,
- › täckkåpan till baksätets styrskena,
- › C-stolpens klädsel upptill,
- › Tröskelpanel på bak- och framdörren
- › A-stolpens klädsel nedtill.

### **Lossa följande delar:**

- › höger genomföring för bakluckans elsystem,
- › takklädseln,
- › säkringshållaren.

## **Bild 2, 3**

**Ledningsdragningschema för spolvattenslangen (B) och kabelstammen (A) - dra och anslut alla ledningar enligt tillhörande bild.**

## **Bild 4**

### **Skålhandtag med backkamera**

- › Demontera handtaget för upplåsning av bakluckan och lossa kontaktanslutningarna.
- › Anslut stiftkontakten från det befintliga elsystemet till skålhandtaget med backkameran (C) (kallas i fortsättningen bara skålhandtaget), placera skålhandtaget i rätt läge och montera det sedan i öppningen i bakluckan.

## **Bild 5**

**Ledningsdragningschema för spolvattenslangen (B) och kabelstammen (A) i bakluckan - dra och anslut alla ledningar enligt tillhörande bild.**

SV





## Bild 6, 7, 8, 9, 10

### Spolvattenslang

- › Lossa kontakthållaren från bakluckans plåt och dra loss spolvattenslangen som går till det högt placerade bromsljuset. Dra spolvattenslangen (B) genom öppningen i bakluckans plåt och anslut den till det högst placerade bromsljuset. Anslut sedan spolvattenslangen som går till det högt placerade bromsljuset till spolvattenslangen (B) (detalj på bild 6).
- › Snäpp fast klämmorna till spolvattenslangen i plåten på vänster sida av bakluckan (detalj på bild 7), dra slangen mellan den yttre och den inre plåten på vänster sida av bakluckan (detalj på bild 8) och vidare utmed det befintliga elsystemet fram till handtaget (detalj på bild 9). Anslut slangen till handtaget (detalj på bild 10).
- › Rikta in spolvattenslangen noga och fäst den vid den befintliga kabelstammen med buntband (J) på ett inbördes avstånd av 10–15 cm.

## Bild 11, 12, 13, 14, 15

### Dragning av den elektriska kabelstammen (A) (i fortsättningen endast kallad kabelstammen) från höger genomföring för bakluckans elsystem fram till handtaget

- › Dra kabelstammen (A) mellan taket och karossen, vidare genom öppningen i karossen och in i höger genomföring för bakluckans elsystem, genom genomföringen och sedan genom öppningen i plåten på höger sida av bakluckan (detalj på bild 11).
- › Anslut den 8-poliga kontakten (E) (detalj på bild 12) till ledarna i kabelstammen (A) på följande sätt:
  - Anslut den orange/bruna ledaren till STIFT 8.
  - Anslut den orange/lila ledaren till STIFT 4.
  - Anslut den bruna ledningen till STIFT 5.
  - Anslut den röda/vita ledaren till STIFT 1.
- › Dra kabelstammen parallellt med det befintliga elsystemet på höger sida av bakluckan och fram till handtaget (detalj på bild 13).
- › Anslut stiftkontaktarna på kabelstammen (A) till motsvarande kontakter på handtaget (C) (detalj på bild 15) och snäpp sedan fast dem i öppningarna i bakluckans plåt (pilar på bild 14).
- › Rikta in kabelstammen noga och fäst den vid den befintliga kabelstammen med buntband (J) på ett inbördes avstånd av 10–15 cm.



**Anmärkning. Var ytterst försiktig vid kabeldragningen så att du inte skadar kabelstammen, stiftkontaktarna eller genomföringen för elsystemet till bakluckan.**

## Bild 16

- › När kabelstammen väl har fixerats ska den lindas med lämplig, nötningsbeständig tejp där den passerar genomföringen för bakluckans elsystem och sedan med mjuk textiltejp från genomföringen för bakluckans elsystem och ytterligare ca 70 cm. Snäpp åter fast den lossade genomföringen till bakluckans elsystem.

## Dragning av kabelstammen genom kupén:

### Bild 17A, 18A

#### Vänsterstyrd bil.

- › Böj ytterst försiktigt ner så mycket som krävs av takklädseln (undvik att skada den) för att kunna dra kabelstammen mellan innertaket och karossen fram till den högra D-stolpen. Dra kabelstammen vidare utmed det befintliga elsystemet i bilens bagageutrymme.

SV







### Jordanslutning

- › Led fram den bruna ledarens jordögla till D-stolpens jordskruv och anslut den till jordskruv (pil på bild 18A). Dra åt muttern med 9 Nm.

### Bild 17B, 18B

#### Högerstyr bil.

- › Böj ytterst försiktigt ner så mycket som krävs av takklädseln (undvik att skada den) för att kunna dra kabelstammen mellan innertaket och karossen fram till den vänstra D-stolpen. Dra kabelstammen vidare utmed det befintliga elsystemet i bilens bagageutrymme.

#### Jordanslutning

- › Led fram den bruna ledarens jordögla till C-stolpens jordskruv och anslut den till jordskruv (pil på bild 18B). Dra åt muttern med 9 Nm.

### Bild 19A, 19B

- › Dra kabelstammen (A) från bagageutrymme på passagerarsidan och parallellt med det bakre hjulhuset, till fordonströskeln och fram till A-stolpen.



**Anmärkning. Dra omsorgsfullt kabelstammen genom bagageutrymme, förbi hjulhuset, fordonströskeln och fram till A-stolpen, och fäst den i fordonets befintliga kabelstam med buntband (J) som placeras med ett mellanrum på 10 - 15 cm.**

SV

### Bild 20A, 20B

Ledningsdragningschema för kabelstammen (A) under instrumentpanelen.

### Bild 21A, 22A, 23A, 24A

#### Vänsterstyr bil.

- › Dra kabelstammen (A) parallellt med A-stolpen (bild 21A) och fram till kabelstammen till styrenheten för informationselektronik MIB vid förvaringsfacket på passagerarsidan (bild 22A).
- › Anslut kabelstammens ledare till säkringshållaren genom att dra den från området intill förvaringsfacket på passagerarsidan och parallellt med modulhållaren fram till mittunneln, genom mittkonsolen över till förarsidan och vidare fram till säkringshållaren.



**Anmärkning. Dra kabelstammen omsorgsfullt under instrumentpanelen och fäst den vid bilens egen, befintliga kabelstam med buntband (J) och på de förberedda ställena på modulhållaren med fastsnäppbara buntband (K) (bild 23A, 24A).**

### Bild 21B

#### Högerstyr bil.

- › Dra kabelstammen från A-stolpen, bakom BCM-styrenhetens hållare och säkringshållarens RACK till modulhållaren, sedan parallellt med modulhållaren till styrenheten för informationselektroniks kabelhållare.

### Bild 25

#### Säkringshållare

- › Anslut hylsan på kabelstammens röd/vita ledare till säkringshållarens uttag 18A enligt krets-schemat. Sätt in säkringen 7,5 A MINI (H) i uttaget med stifttilldelning.





### Anslut kamerakabelstammen till styrenheten för informationselektronik.

- > Dra loss "quadlock"-kontakten från styrenheten för informationselektronik (i förvaringsfacket på passagerarsidan) och anslut kabelstammens ledare enligt kretsschemat på följande sätt.

Anslut den vita ledaren från kabelstammen till den blå stiftkontakten (quadlock) STIFT 6 och den svarta ledaren till den blå stiftkontakten (quadlock) STIFT 12.

Lossa den orange/lila ledaren från den grå ŠKODA-kontakten (quadlock) STIFT 6 och anslut den till STIFT 1 på reservkontakten (D). Lossa den orange/bruna ledaren från den grå ŠKODA-kontakten (quadlock) STIFT 12 och anslut den till STIFT 2 på reservkontakten (D).

Anslut den orange/lila ledaren från kabelstammen till det fria STIFT 6. Anslut den orange/bruna ledaren från kabelstammen till det fria STIFT 12.

Dra skumgummistycket över kontakten (D) och anslut kontakten till motsvarande kontakt på kabelstammen. Lägg ut kabelstammen med omsorg och fäst den vid fordonets befintliga kabelstam med buntband (J).



**Anmärkning. Dra kabelstammen så att den inte kan skadas av kanterna på instrumentkonsolen.**

**Vid värmesystemet (bakom förvaringsfacket på passagerarsidan) ska backkamerans kabelstam fästas vid bilens befintliga kablage och vid modulhållaren så den inte kan stöta emot med värmesystemets rörliga del (spjället).**

**Fäst kablarna i säkringshållaren med buntband under instrumentpanelen så att de inte kan lossna. På så sätt undviker du att de kolliderar med andra delar som sitter under instrumentpanelen (knäckrockkudde, pedaler, rattstång och liknande på vänsterstyrda bilar, passagerarsidans förvaringsfack på högerstyrda).**

**Funktionen hos knäckrockkudde, pedaler och andra delar som sitter under instrumentpanelen får aldrig påverkas.**

**Det måste dock fortfarande gå att lossa säkringshållaren.**

Kontrollera dragningen av kabelstammen (A) och att samtliga ledare har fästs ordentligt. Ledarna måste fästas så att de inte kan skadas eller orsaka störande ljud under körning.

Sätt tillbaka alla demonterade komponenter enligt reparationshandledningen när monteringen är klar. Anslut bilens batteri - utför alltid alla de föreskrivna momenten vid lossning och återanslutning av batteripolerna.

### Aktivera backkameran

Gör en guidad felsökning.

- > Starta funktionen "Programversionshantering (PVH)". Välj där funktion 3 - "Verkställ eftermonteringsfunktion" - se bild 26.
- > Ange den femsiffriga åtgärds-koden (koden hittar du i reservdelskatalogen "ETKA") och kvittera.
- > Avsluta diagnosen som vanligt.

**Ställ in backkamerans enligt grundinställningarna i reparationshandledningen från ŠKODA.**

**Kontrollera backkamerans funktion.**

*Funktionsbeskrivningen för backkameran och visningen av det övervakade området hittar du i instruktionsboken, i kapitlet Hjälpsystem/Parkeringshjälp.*

SV



## Achteruitrijcamera

De accessoires zijn alleen bedoeld voor een professionele montage. ŠKODA AUTO raadt aan om de montage door een ŠKODA-dealer te laten uitvoeren.

### Gebruik

De set is bestemd voor de voertuigen KODIAQ (NS) met het systeem MIB Amundsen, Bolero, Columbus in de uitrusting van het voertuig.

De set 566 054 634 is bestemd voor de voertuigen KODIAQ (NS) met stuur links.

De set 567 054 634 is bestemd voor de voertuigen KODIAQ (NS) met stuur rechts.



**Opmerking. De afbeeldingen in de handleiding dienen als algemene inbouw-informatie. In sommige details kunnen deze van de inbouwplaatsen van het desbetreffende voertuig afwijken! In de handleiding is de montage van de achteruitrijcamera op het voertuig ŠKODA KODIAQ (NS) met stuur links weergegeven en beschreven. Het montageverloop voor de achteruitrijcamera voor de voertuigen KODIAQ (NS) met stuur rechts is met uitzondering van de in de afbeelding met de index B afgebeelde afwijkingen identiek.**

### Onderdelenoverzicht van de set (afb. 1)

Onderdeel	Aantal	Positie
Complete draadbundel	1	A
Waswaterslang	1	B
Handgreep met achteruitrijcamera	1	C
Hulpstekker 3-polig	1	D
Hulpstekker 8-polig	1	E
Stekkerhouder	1	F
Stuk schuimplastic	1	G
Zekering 7,5 A MINI	1	H
Kabelbinder:		
Voor stuur links	45	J
Voor stuur rechts	40	J
Opsteekbare kabelbinder (alleen voor stuur links)	5	K
Montagehandleiding	1	

### Speciale gereedschappen

Uittrekkerset  
Kabelintrekhelp

### Belangrijke montagevoorschriften

*Bij het doortrekken van een deel van de draadbundel (A) door de doorvoer voor de elektrische installatie van de achterklep moet met de grootst mogelijke voorzichtigheid te werk worden gegaan om beschadigingen aan de draadbundel, aan de doorvoer en aan de bestaande elektrische installatie van de achterklep te vermijden.*

### Montageverloop

*Tijdens het inbouwen moet de massaklem van de accu van het voertuig zijn losgemaakt. Het uitbouwen en opnieuw inbouwen van de verschillende onderdelen moet aan de hand van de ŠKODA-reparatiehandleiding plaatsvinden.*

NL



#### **De volgende onderdelen moeten worden uitgebouwd:**

- › handgreep op de achterklep,
- › bovenste en onderste achterklepbekleding,
- › D-stijlbekleding links en rechts,
- › bekleding van het achterklepslot,
- › clips voor de dakbekleding,
- › gereedschapsbox (als de 3e stoelenrij aanwezig is),
- › 3e stoelenrij (indien aanwezig),
- › aflegvak aan passagierszijde,
- › regeleenheid voor informatie-elektronica MIB.

#### **Bij voertuigen met stuur links moeten aan de rechterkant (in rijrichting) de volgende onderdelen worden uitgebouwd:**

- › kofferruimtebekleding,
- › afdekkap voor geleiderail van de achterbank,
- › C-stijlbekleding boven,
- › dorpelbekleding bij het achter- en voorportier,
- › A-stijlbekleding onder.

#### **Bij voertuigen met stuur links de volgende onderdelen uitbouwen:**

- › zijafdekking van het schakelpaneel links en rechts,
- › zijbekleding van de middenconsole links en rechts,
- › aflegvak aan bestuurderskant,
- › bekleding aan bestuurderskant,
- › knie-airbag (indien aanwezig).

#### **Bij voertuigen met stuur rechts moeten aan de linkerkant (in rijrichting) de volgende onderdelen worden uitgebouwd:**

- › kofferruimtebekleding,
- › afdekkap voor geleiderail van de achterbank,
- › C-stijlbekleding boven,
- › dorpelbekleding bij het achter- en voorportier,
- › A-stijlbekleding onder.

#### **De volgende onderdelen moeten worden uitgebouwd:**

- › rechter doorvoer voor de elektrische installatie van de achterklep,
- › dakbekleding,
- › zekeringhouder.

### **Afb. 2, 3**

De tekening van de ligging van de waswaterslang (B) en van de draadbundel (A) - slang en alle draden volgende bijbehorende afbeeldingen aanbrengen en aansluiten.

### **Afb. 4**

#### **Handgreep met achteruitrijcamera**

- › De handgreep voor de achterklepontgrendeling uitbouwen en de stekkerverbindingen scheiden.
- › Op de handgreep met de achteruitrijcamera (C) (hierna kortweg handgreep genoemd) de stekker van de bestaande elektrische installatie aansluiten, de handgreep positioneren en in de opening in de achterklep inbouwen.

### **Afb. 5**

De tekening van de ligging van de waswaterslang (B) en van de draadbundel (A) in de achterklep - slang en alle draden volgende bijbehorende afbeeldingen aanbrengen en aansluiten.

NL





## Afb. 6, 7, 8, 9, 10

### Waswaterslang

- > De stekkerhouder van de achterklepplaat losmaken en de waswaterslang voor het hooggeplaatste remlicht lostrekken. De waswaterslang (B) door de opening in de achterklepplaat doortrekken en op het hooggeplaatste remlicht aansluiten. Op de waswaterslang (B) vervolgens de waswaterslang voor het hooggeplaatste remlicht aansluiten -detail afb. 6-.
- > De clips voor de waswaterslang in het plaatstaal aan de linkerkant van de achterklep vastklikken -detail afb. 7-, de slang tussen de buiten- en binnenplaat aan de linkerkant van de achterklep leiden -detail afb. 8-, verder deze parallel aan de bestaande elektrische installatie naar de handgreep leiden -detail afb. 9-, de slang op de handgreep aansluiten -detail afb. 10-.
- > De waswaterslang zorgvuldig uitlijnen en met de kabelbinders (J) aan de bestaande draadbundel op een afstand van 10 - 15 cm bevestigen.

## Afb. 11, 12, 13, 14, 15

### Doortrekken van de elektrische draadbundel (A) (hierna kortweg draadbundel genoemd) van de rechter doorvoer voor de elektrische installatie van de achterklep naar de handgreep

- > De draadbundel (A) tussen het dak en de carrosserie, verder door de opening in de carrosserie in de rechter doorvoer voor de elektrische installatie van de achterklep, door de doorvoer en vervolgens door de opening in het plaatstaal aan de rechterkant van de achterklep doortrekken -detail afb. 11-.
- > Aan de draden van de draadbundel (A) de 8-polige stekker (E) -detail afb. 12- als volgt aansluiten.
  - De oranje/bruine draad op PIN 8 aansluiten.
  - De oranje/paarse draad op PIN 4 aansluiten.
  - De bruine draad op PIN 5 aansluiten.
  - De rode/witte draad op PIN 1 aansluiten.
- > De draadbundel aan de rechterzijde van de achterklep parallel aan de bestaande elektrische installatie naar de handgreep leiden -detail afb. 13-.
- > De bijbehorende stekkers van de draadbundel (A) op de stekkers van de handgreep (C) stekken -details afb. 15- en vervolgens in de openingen in de achterklepplaat vastklikken -pijlen afb. 14-.
- > De draadbundel zorgvuldig uitlijnen en met de kabelbinders (J) aan de bestaande draadbundel op een afstand van 10 - 15 cm bevestigen.



**Opmerking. De draadbundel met de grootst mogelijke voorzichtigheid doortrekken om schade aan de draadbundel, de stekkers en aan de doorvoer van de elektrische installatie van de achterklep te vermijden.**

## Afb. 16

- > Na de bevestiging van de draadbundel deze nabij de in- en uitgang in de / uit de doorvoer voor de elektrische installatie van de achterklep met een geschikte schuurbestendige tape en van de doorvoer voor de elektrische installatie van de achterklep over een lengte van ca. 70 cm met een zachte textieltape omwikkelen. De losgemaakte doorvoer voor de elektrische installatie van de achterklep weer vastklikken.

NL





## Aanbrengen van de draadbundel in het interieur:

### Afb. 17A, 18A

#### Voertuig met stuur links.

- > De dakbekleding zo ver als nodig uiterst voorzichtig wegbuigen (mag niet beschadigd worden), zodat de draadbundel tussen het dak en de carrosserie naar de rechter D-stijl doorgetrokken kan worden. Verder de draadbundel parallel aan de bestaande elektrische installatie in de kofferruimte leiden.

#### Massa-aansluiting

- > Het massaog van de bruine draad naar de massaschroef aan de D-stijl leiden en op de massaschroef aansluiten -afb. 18A, pijl-. De moer met 9 Nm vastdraaien.

### Afb. 17B, 18B

#### Voertuig met stuur rechts.

- > De dakbekleding zo ver als nodig uiterst voorzichtig wegbuigen (mag niet beschadigd worden), zodat de draadbundel tussen het dak en de carrosserie naar de linker D-stijl doorgetrokken kan worden. Verder de draadbundel parallel aan de bestaande elektrische installatie in de kofferruimte leiden.

#### Massa-aansluiting

- > Het massaog van de bruine draad naar de massaschroef aan de D-stijl leiden en op de massaschroef aansluiten -afb. 18B, pijl-. De moer met 9 Nm vastdraaien.

NL

### Afb. 19A, 19B

- > De draadbundel (A) aan bestuurderszijde uit de kofferruimte, parallel aan de achterste wielkast, naar de dorpel, tot de A-stijl aanbrengen.



**Opmerking. In de kofferruimte, bij de wielkast, bij de dorpel en bij de A-stijl de draadbundel zorgvuldig aanbrengen en aan de bestaande draadbundel van het voertuig met de kabelbinders (J) op een afstand van 10 - 15 cm bevestigen.**

### Afb. 20A, 20B

De tekening van de ligging van de draadbundel (A) onder het schakelpaneel.

### Afb. 21A, 22A, 23A, 24A

#### Voertuig met stuur links.

- > De draadbundel (A) parallel aan de A-stijl -afb. 21A-, naar de draadbundel van de regeleenheid voor informatie-elektronica MIB in het bereik van het aflegvak aan passagierszijde aanbrengen -afb. 22A-.
- > De draad van de draadbundel voor de aansluiting op de zekeringhouder, uit het bereik van het aflegvak aan passagierszijde, parallel aan de modulehouder tot aan de middentunnel, door de middenconsole naar de bestuurszijde en verder naar de zekeringhouder leiden.



**Opmerking. In het bereik onder het schakelpaneel de draadbundel zorgvuldig aanbrengen en aan de bestaande draadbundel met de kabelbinders (J) en op geschikte plaatsen op de modulehouder met de opsteekbare kabelbinders (K) bevestigen -afb. 23A, 24A-.**





## Afb. 21B

### Voertuig met stuur rechts.

- > De draadbundel van de A-stijl achter de houder van de BCM-regeleenheid en van de zekeringhouder RACK naar de modulehouder, verder parallel aan de modulehouder tot aan de draadbundel van de regeleenheid voor de informatie-elektronica aanbrengen.

## Afb. 25

### Zekeringhouder

- > De huls van de rode/witte draad van de draadbundel volgens het elektrisch schema in de zekeringhouder in de insteekplaats 18A schuiven. In de bezette insteekplaats de zekering 7,5 A MINI (H) schuiven.

### De aansluiting van de camera-draadbundel aan de regeleenheid voor de informatie-elektronica.

- > Van de regeleenheid voor de informatie-elektronica (in het aflegvak aan passagierszijde) de „quadlock“-stekker aftrekken en de draden van de draadbundel volgens het elektrisch schema als volgt aansluiten.  
De witte draad van de draadbundel op de blauwe stekker (quadlock) PIN 6 en de zwarte draad op de blauwe stekker (quadlock) PIN 12 aansluiten.  
De oranje/paarse draad uit de grijze stekker ŠKODA (quadlock) PIN 6 uitnemen en deze op PIN 1 van de hulpstekker (D) aansluiten. De oranje/bruine draad uit de grijze stekker ŠKODA (quadlock) PIN 12 uitnemen en deze op PIN 2 van de hulpstekker (D) aansluiten.  
Op de vrijgekomen PIN 6 de oranje/paarse draad van de draadbundel aansluiten. Op de vrijgekomen PIN 12 de oranje/bruine draad van de draadbundel aansluiten.  
Over de stekker (D) het stuk schuimplastic trekken en de stekker op de bijbehorende stekker van de draadbundel aansluiten, de draadbundel zorgvuldig aanbrengen en aan de bestaande draadbundel van het voertuig met de kabelbinders (I) bevestigen.

NL



**Opmerking. De draadbundel zo aanbrengen, dat deze niet beschadigd kan worden tegen de randen van de schakelpaneelconsole.**

**Bij het verwarmingsapparaat (achter het aflegvak aan passagierszijde) de draadbundel van de achteruitrijcamera zo aan de bestaande elektrische installatie en aan de modulehouder van het voertuig bevestigen, dat deze het beweegbare deel van het verwarmingsapparaat (klep) niet kan raken.**

**Onder het schakelpaneel de draden aan de zekeringhouder zodanig met kabelbinders bevestigen dat deze niet kunnen losraken. Hierdoor wordt aanraking voorkomen met andere onderdelen die zich onder het schakelpaneel bevinden (knie-airbag, pedalen, stuurkolom, etc. bij voertuigen met stuur links en het aflegvak aan passagierszijde bij voertuigen met stuur rechts).**

**De werking van de knie-airbag, de pedalen en andere onderdelen onder het schakelpaneel mag niet worden belemmerd.**

**Tegelijk moet het mogelijk blijven om de zekeringhouder los te maken.**





De montage van de draadbundel (A) en de bevestiging van alle draden controleren. De draden moeten zo bevestigd zijn dat deze niet beschadigd kunnen raken en tijdens de rit geen storende geluiden veroorzaken.

Na afloop van de montage alle uitgebouwde onderdelen weer inbouwen volgens de aanwijzingen in de reparatiehandleiding. De accu aansluiten en alle stappen met betrekking tot het loskoppelen en aansluiten uitvoeren.

## De achteruitrijcamera activeren

Het begeleid storingzoeken uitvoeren.

- > De functie „Softwareversionsmanagement (SVM)“ activeren. In dit menu de functie 3 - de zogenaamde „Um-/Nchrüstfunktion durchführen“ kiezen - zie afb. 26.
- > De 5-cijferige uitvoeringscode (deze staat in de onderdelencatalogus „ETKA“) invoeren en bevestigen.
- > De diagnose op de gebruikelijke manier voltooien.

**De basisinstelling van de achteruitrijcamera volgens de reparatiehandleiding van ŠKODA uitvoeren.**

**De werking van de achteruitrijcamera controleren.**

*De beschrijving van de werking van de achteruitrijcamera en de indicatie van het bewaakte gebied zijn te vinden in het instructieboekje - hoofdstuk Hulpsystemen/Parkeerhulp.*

NL







## Kamera cofania

Akcesoria są przeznaczone wyłącznie do profesjonalnego montażu. ŠKODA AUTO zaleca, by montaż był przeprowadzany przez dealerów.

### Zastosowanie

Zestaw jest przeznaczony dla pojazdów KODIAQ (NS) wyposażonych w system MIB Amundsen, Bolero, Columbus.

Zestaw 566 054 634 jest przeznaczony dla pojazdów KODIAQ (NS) z kierownicą po lewej stronie.

Zestaw 567 054 634 jest przeznaczony dla pojazdów KODIAQ (NS) z kierownicą po prawej stronie.



**Wskazówka. Ilustracje w tej instrukcji mają charakter ogólnych informacji o montażu. W niektórych szczegółach różnią się one od miejsc montażu w danym pojeździe! W instrukcji został przedstawiony i opisany przebieg montażu kamery cofania w pojeździe KODIAQ (NS) z kierownicą po lewej stronie. Przebieg montażu kamery cofania w pojazdach KODIAQ (NS) z kierownicą po prawej stronie jest identyczny z wyjątkiem różnic przedstawionych na rys. z indeksem B.**

### Lista części zestawu (rys. 1)

Część	Ilość	Pozycja
Kompletna wiązka przewodów	1	A
Wąż spryskiwacza	1	B
Uchwyt z kamerą cofania	1	C
Wtyk pomocniczy 3-stykowy	1	D
Wtyk pomocniczy 8-stykowy	1	E
Uchwyt wtyku	1	F
Guma piankowa	1	G
Bezpiecznik 7,5A MINI	1	H
Opaska kablowa:		
Do pojazdów z kierownicą po lewej stronie	45	J
Do pojazdów z kierownicą po prawej stronie	40	J
Nakładana opaska kablowa (tylko dla pojazdów z kierownicą po lewej stronie)	5	K
Instrukcja montażu	1	

### Narzędzia specjalne

Zestaw przebijaków  
Narzędzie do przeciągania kabli

### Ważne wskazówki montażowe

*Przy przeciąganiu części wiązki przewodów (A) przez przepust instalacji elektrycznej należy postępować zgodnie z przyjętą praktyką i największą możliwą ostrożnością, aby uniknąć uszkodzeń wiązki przewodów, przepustu oraz fabrycznej instalacji elektrycznej klapy bagażnika.*

### Przebieg montażu

*W czasie montażu należy odłączyć zaciski akumulatora pojazdu.*



PL





Demontaż i ponowny montaż poszczególnych części odbywa się według wskazówek zawartych w instrukcji serwisowej ŠKODA.

**Należy wymontować następujące części:**

- > uchwyt klapy bagażnika,
- > górne i dolne osłony klapy bagażnika
- > osłonę słupka D z lewej i z prawej strony,
- > osłonę zamka klapy bagażnika,
- > zaczepy tapicerki dachowej,
- > skrzynkę narzędziową (jeśli obecny jest 3. rząd siedzeń),
- > 3. rząd siedzeń (jeśli obecny),
- > schowek po stronie pasażera,
- > sterownik systemów informacyjnych MIB.

**W samochodach z kierownicą po lewej stronie należy zdemontować z prawej strony (w stosunku do kierunku jazdy) następujące elementy:**

- > tapicerkę bagażnika,
- > zaślepkę szyny prowadzącej tylnej kanapy,
- > osłonę słupka C u góry,
- > osłony progów drzwi przednich i tylnych,
- > osłonę słupka A na dole.

**W przypadku pojazdów z kierownicą z lewej strony należy wymontować następujące części:**

- > boczną osłonę deski rozdzielczej z lewej i z prawej strony,
- > boczną obudowę konsoli środkowej z lewej i z prawej strony,
- > schowek po stronie kierowcy,
- > obudowę po stronie kierowcy,
- > kolanową poduszkę powietrzną (jeżeli jest elementem wyposażenia).

**W samochodach z kierownicą po prawej stronie należy zdemontować z lewej strony (w stosunku do kierunku jazdy) następujące elementy:**

- > tapicerkę bagażnika,
- > zaślepkę szyny prowadzącej tylnej kanapy,
- > osłonę słupka C u góry,
- > osłony progów drzwi przednich i tylnych,
- > osłonę słupka A na dole.

**Należy odzepić następujące części:**

- > prawy przepust instalacji elektrycznej klapy bagażnika,
- > podsufitkę dachu,
- > Skrzynka bezpieczników.

**Rys. 2, 3**

Schemat ułożenia węża spryskiwacza (B) i wiązki przewodów (A) - wąż i wszelkie przewody ułożyć i podłączyć zgodnie z odpowiednimi ilustracjami.

**Rys. 4**

**Uchwyt z kamerą cofania**

- > Zdemontować uchwyt blokady klapy bagażnika i rozłączyć złącza wtykowe.
- > Do uchwyty z kamerą cofania (C) (w dalszej części zwanego uchwytem) podłączyć wtyczkę fabrycznej instalacji elektrycznej, ustawić uchwyt i zamontować w otworze klapy bagażnika.





### Rys. 5

Schemat ułożenia węża spryskiwacza (B) i wiązki przewodów (A) w klapie bagażnika - wąż i wszelkie przewody ułożyć i podłączyć zgodnie z odpowiednimi ilustracjami.

### Rys. 6, 7, 8, 9, 10

#### Wąż spryskiwacza

- > Odczepić uchwyt wtyczki od klapy bagażnika i zdjąć wąż spryskiwacza dodatkowego światła hamowania. Przeciągnąć wąż spryskiwacza (B) przez otwór w klapie bagażnika i podłączyć do dodatkowego światła hamowania. Do węża spryskiwacza (B) podłączyć następnie wąż spryskiwacza dodatkowego światła hamowania -detal na rys. 6-.
- > Zaczepy węża spryskiwacza zaczepić w blasze z lewej strony klapy bagażnika -detal na rys. 7-, poprowadzić wąż pomiędzy zewnętrzną i wewnętrzną blachą z lewej strony klapy bagażnika -detal na rys. 8-, następnie poprowadzić go dalej równoległe do istniejącej instalacji elektrycznej do uchwytu -detal na rys. 9-, podłączyć wąż do uchwytu -detal na rys. 10-.
- > Starannie ustawić wąż spryskiwacza i zamocować za pomocą opasek kablowych do fabrycznej wiązki przewodów w odstępach co 10 - 15 cm.

### Rys. 11, 12, 13, 14, 15

#### Przeciąganie elektrycznej wiązki przewodów (w dalszej części zwanej wiązką przewodów) od prawego przepustu instalacji elektrycznej klapy bagażnika do uchwytu

- > Przeciągnąć wiązkę przewodów (A) pomiędzy dachem a nadwoziem, dalej przez otwór w nadwoziu do prawego przepustu instalacji elektrycznej klapy bagażnika, przez przepust a następnie przez otwór w blasze z prawej strony klapy bagażnika -detal na rys. 11-.
- > Do przewodów wiązki przewodów (A) podłączyć 8-stykową wtyczkę -detal na rys. 12- w poniższy sposób.
  - Podłączyć pomarańczowo-brązowy przewód do PIN 8.
  - Podłączyć pomarańczowo-fioletowy przewód do PIN 4.
  - Podłączyć brązowy przewód do PIN 5.
  - Podłączyć czerwono-biały przewód do PIN 1.
- > Poprowadzić wiązkę przewodów z prawej strony klapy bagażnika równoległe do fabrycznej instalacji elektrycznej do uchwytu -detal na rys. 13-.
- > Podłączyć przynależne wtyczki wiązki przewodów (A) do wtyczek uchwytu (C) -detale na rys. 15- a następnie zaczepić w otworach w klapie bagażnika -strzałki na rys. 14-.
- > Starannie ustawić wiązkę przewodów i zamocować za pomocą opasek kablowych (I) do fabrycznej wiązki przewodów w odległości 10 - 15 cm.



**Wskazówka. Wiązkę przewodów należy przeciągać z najwyższą ostrożnością, aby nie uszkodzić wiązki przewodów ew. wtyczek oraz przepustu instalacji elektrycznej klapy bagażnika.**

### Rys. 16

- > Po zamocowaniu wiązki przewodów owinąć ją w strefie wejścia do przepustu i wyjścia z przepustu instalacji elektrycznej klapy bagażnika odpowiednią taśmą odporną na przecieranie a od przepustu instalacji elektrycznej klapy bagażnika na długości około 70 cm miękką taśmą tekstylną. Z powrotem zaczepić przepust instalacji elektrycznej klapy bagażnika.





## Układanie wiązki przewodów we wnętrzu pojazdu:

### Rys. 17A, 18A

#### Pojazdy z kierownicą z lewej strony.

- > Z najwyższą ostrożnością odgiąć tapicerkę dachową na ile to konieczne (nie wolno jej uszkodzić) tak, aby można było przeciągnąć wiązkę przewodów pomiędzy dachem a nadwoziem do prawego słupka D. Następnie poprowadzić wiązkę przewodów równoległe do fabrycznej instalacji elektrycznej w bagażniku pojazdu.

#### Połączenie z masą

- > Poprowadzić zacisk oczkowy brązowego przewodu do śruby masy przy słupku D i podłączyć do śruby masy -rys. 18A, strzałka-. Dokręcić śrubę momentem 9 Nm.

### Rys. 17B, 18B

#### Pojazdy z kierownicą z prawej strony.

- > Z najwyższą ostrożnością odgiąć tapicerkę dachową na ile to konieczne (nie wolno jej uszkodzić) tak, aby można było przeciągnąć wiązkę przewodów pomiędzy dachem a nadwoziem do lewego słupka D. Następnie poprowadzić wiązkę przewodów równoległe do fabrycznej instalacji elektrycznej w bagażniku pojazdu.

#### Połączenie z masą

- > Poprowadzić zacisk oczkowy brązowego przewodu do śruby masy przy słupku C i podłączyć do śruby masy -rys. 18B, strzałka-. Dokręcić śrubę momentem 9 Nm.

### Rys. 19A, 19B

- > Poprowadzić wiązkę przewodów (A) po stronie pasażera z bagażnika, równoległe do tylnego nadkola i do progu pojazdu aż do słupka A.



PL



**Wskazówka.** Starannie ułożyć wiązkę przewodów w bagażniku, na nadkolu, na progu pojazdu oraz przy słupku A i zamocować do fabrycznej wiązki przewodów pojazdu opaskami kablowymi (J) w odstępach co ok. 10 - 15 cm

### Rys. 20A, 20B

Schemat ułożenia wiązki przewodów (A) w strefie pod deską rozdzielczą.

### Rys. 21A, 22A, 23A, 24A

#### Pojazdy z kierownicą z lewej strony.

- > Ułożyć wiązkę przewodów (A) równoległe do słupka A -rys. 21A- do wiązki przewodów sterownika systemów informacyjnych MIB w strefie schowka po stronie pasażera -rys. 22A-.
- > Poprowadzić przewód wiązki przewodów w celu podłączenia do tablicy bezpieczników ze strefy schowka po stronie pasażera, równoległe do mocowania modułu aż do tunelu środkowego, przez konsolę środkową na stronę kierowcy i dalej do tablicy bezpieczników.



**Wskazówka.** W strefie pod deską rozdzielczą starannie ułożyć wiązkę przewodów i zamocować do fabrycznej wiązki przewodów za pomocą opasek kablowych (J) i do odpowiednich punktów na mocowaniu modułu za pomocą nakładanych opasek kablowych (K) -rys. 23A, 24A-.





## Rys. 21B

### Pojazdy z kierownicą z prawej strony.

- › Ułożyć wiązkę przewodów od słupka A za mocowaniem centralnego modułu sterującego BCM i stelaża płyty bezpieczników RACK do mocowania modułu, następnie równoległe do mocowania modułu, do wiązki przewodów sterownika systemów informacyjnych.

## Rys. 25

### Skrzynka bezpieczników

- › Włożyć konektor czerwono/ białego przewodu wiązki przewodów zgodnie ze schematem elektrycznym do gniazda 18A w tablicy bezpieczników. Do podłączonego gniazda włożyć bezpiecznik 7,5A MINI (H).

### Podłączanie wiązki przewodów kamery do modułu sterownika systemów informacyjnych.

- › Odłączyć od sterownika systemów informacyjnych (w schowku po stronie pasażera) wtyczkę „quadlock” i podłączyć przewody wiązki przewodów zgodnie ze schematem elektrycznym w poniższy sposób.

Podłączyć biały przewód wiązki przewodów do niebieskiej wtyczki (quadlock) PIN 6, czarny przewód do niebieskiej wtyczki (quadlock) PIN 12.

Wyjąć pomarańczowo-fioletowy przewód z szarej wtyczki ŠKODA (quadlock) PIN 6 i podłączyć do PIN 1 wtyczki pomocniczej (D). Wyjąć pomarańczowo-brązowy przewód z szarej wtyczki ŠKODA (quadlock) PIN 12 i podłączyć do PIN 2 wtyczki pomocniczej (D).

Do zwolnionego PIN 6 podłączyć pomarańczowo/ fioletowy przewód wiązki przewodów. Do zwolnionego PIN 12 podłączyć pomarańczowo/ brązowy przewód wiązki przewodów.

Wyciągnąć element z gumy piankowej nad wtyczką (D) i podłączyć wtyczkę do przynależnej wtyczki wiązki przewodów, starannie ułożyć wiązkę przewodów i zamocować do fabrycznej wiązki przewodów pojazdu opaskami kablowymi (J).



PL



**Wskazówka. Ułożyć wiązkę przewodów, aby nie została uszkodzona o krawędzie konsoli deski rozdzielczej.**

**Przy nagrzewnicy (za schowkiem po stronie pasażera ) przymocować wiązkę przewodów kamery do fabrycznej wiązki przewodów instalacji elektrycznej i do mocowania modułu pojazdu, aby nie dotykała ruchomej części nagrzewnicy (klapy).**

**Zamocować przewody opaskami kablowymi pod deską rozdzielczą do skrzynki bezpieczników, aby nie mogły się odłączyć. Uniemożliwi to kolizję z innymi elementami znajdującymi się pod tablicą rozdzielczą (w pojazdach z kierownicą z lewej strony: kolanową poduszką powietrzną, pedałami, kolumną kierownicy itp., a w pojazdach z kierownicą z prawej strony: schowkiem po stronie pasażera).**

**Działanie kolanowej poduszki powietrznej, pedałów oraz elementów znajdujących się pod deską rozdzielczą nie może być w żaden sposób utrudnione.**

**Jednocześnie musi zostać zapewniona możliwość odłączenia skrzynki bezpieczników.**





Skontrolować ułożenie wiązki przewodów (A) oraz zamocowanie wszystkich przewodów. Przewody muszą być tak zamocowane, aby nie ulegały uszkodzeniom i nie hałasowały podczas jazdy.

Po zakończeniu montażu zamontować wszystkie wymontowane części zgodnie z instrukcją serwisową. Podłączyć zaciski akumulatora pojazdu i wykonać wszystkie czynności związane z odłączeniem i podłączeniem akumulatora.

## Aktywacja kamery cofania

**Wykonać wyszukiwanie błędów.**

- > Włączyć funkcję „Administracja wersji oprogramowania (SVM)”. Wybrać w tym menu funkcję 3 - „Aktualizacja konfiguracji” - patrz rys. 26.
- > Wprowadzić i potwierdzić pięciocyfrowy kod funkcji (znajduje się w katalogu części zamiennych „ETKA”).
- > Zakończyć diagnozę w normalny sposób.

**Wykonać podstawowe ustawienia kamery cofania według instrukcji serwisowej ŠKODA.**

**Skontrolować działanie kamery cofania.**

*Opis działania kamery cofania oraz wyświetlania kontrolowanego obszaru znajdują się w instrukcji obsługi, w rozdziale Układy wspomagające/ Czujniki parkowania.*



PL



## Parkovacia kamera

Produkty príslušenstva sú určené na odbornú montáž. ŠKODA AUTO odporúča vykonávať montáž u zmluvných partnerov.

### Použitie

Súprava je určená pre vozidlá KODIAQ (NS) so systémom MIB Amundsen, Bolero, Columbus vo výbave vozidla.

Súprava 566 054 634 je určená pre vozidlá KODIAQ (NS) s ľavostranným riadením.

Súprava 567 054 634 je určená pre vozidlá KODIAQ (NS) s pravostranným riadením.



**Upozornenie: Obrázky v návode slúžia ako všeobecná informácia k montáži. V niektorých detailoch sa môžu od montážnych miest daného vozidla líšiť! V návode je zobrazená a opísaná montáž parkovacej kamery na vozidlo ŠKODA KODIAQ (NS) s ľavostranným riadením. Postup montáže parkovacej kamery na vozidlá KODIAQ (NS) s pravostranným riadením je až na zobrazené odlišnosti na obr. s indexom B rovnaký.**

### Súprava obsahuje (obr. 1)

Názov dielu	Kusov	Pozícia
Kompletný zväzok elektrickej inštalácie	1	A
Hadica ostrekovača	1	B
Držadlo s parkovacou kamerou	1	C
Pomocná svorkovnica 3-pólová	1	D
Pomocná svorkovnica 8-pólová	1	E
Držiak svorkovnice	1	F
Molitanové tlenie	1	G
Poistka 7,5 A MINI	1	H
Sťahovacia páska:		
Pre ľavostranné riadenie	45	J
Pro pravostranné riadenie	40	J
Narážacia príchytka (len pre ľavostranné riadenie)	5	K
Montážny návod	1	

### Špeciálne náradie

Súprava vypichovačov

Preťahovacie pero

### Dôležité pokyny na montáž

*Pri preťahovaní časti zväzku elektrickej inštalácie (A) priechodkou elektrickej inštalácie 5. dverí postupujte podľa zvyklostí servisu a s najvyššou opatrnosťou, aby nedošlo k jeho poškodeniu, ani k poškodeniu priechodky a pôvodnej elektrickej inštalácie 5. dverí.*

### Postup montáže

*Počas montáže majte odpojený akumulátor.*

*Pri demontáži a spätnej montáži jednotlivých dielov postupujte podľa pokynov v Dielenskej príručke ŠKODA.*

SK



### **Demontujte:**

- > držadlo otvárania 5. dverí,
- > horné a dolné obloženie 5. dverí,
- > obloženie D-stĺpika ľavé i pravé
- > obloženie zámku 5. dverí,
- > príchytky stropu,
- > box s náradím (ak je vo výbave vozidla 3. rad sedadiel),
- > 3. rad sedadiel (ak je vo výbave vozidla),
- > odkladaciu schránku spolujazdca,
- > riadiacu jednotku informačnej elektroniky MIB.

### **Demontujte pri vozidlách s ľavostranným riadením na pravej strane (v smere jazdy):**

- > obloženie batožinového priestoru,
- > kryt vodidla zadných sedadiel,
- > obloženie C-stĺpika horné,
- > panel prahu zadných a predných dverí,
- > obloženie A-stĺpika dolné.

### **Demontujte pri vozidlách s ľavostranným riadením:**

- > bočný kryt prístrojovej dosky ľavý i pravý,
- > bočný kryt strednej konzoly ľavý i pravý,
- > odkladaciu schránku pri vodičovi,
- > obloženie na strane vodiča,
- > kolenný airbag (ak je vo výbave vozidla).

### **Demontujte pri vozidlách s pravostranným riadením na ľavej strane (v smere jazdy):**

- > obloženie batožinového priestoru,
- > kryt vodidla zadných sedadiel,
- > obloženie C-stĺpika horné,
- > panel prahu zadných a predných dverí,
- > obloženie A-stĺpika dolné.

### **Uvoľnite:**

- > pravú priechodku elektrickej inštalácie 5. dverí,
- > panel stropu,
- > poistkový panel.

### **Obr. 2, 3**

**Schéma hadice ostrekovača (B) a zväzku elektrickej inštalácie (A) - hadicu a všetky vodiče natrasujte a zapojte podľa príslušných obrázkov.**

### **Obr. 4**

#### **Držadlo s parkovacou kamerou**

- > Demontujte držadlo otvárania 5. dverí a rozpojte svorkovnice.
- > K držadlu s parkovacou kamerou (C) (ďalej len držadlo) pripojte svorkovnicu pôvodnej elektrickej inštalácie, držadlo vyrovnajte a namontujte do otvoru v 5. dverách.

### **Obr. 5**

**Schéma hadice ostrekovača (B) a zväzku elektrickej inštalácie (A) v 5. dverách - hadicu a všetky vodiče natrasujte a zapojte podľa príslušných obrázkov.**







## Obr. 6, 7, 8, 9, 10

### Hadica ostrekovača

- › Uvoľnite držiak svorkovnic z plechu 5. dverí a odpojte hadicu ostrekovača 3. brzdového svetla. Prevlčte hadicu ostrekovača (B) otvorom v plechu 5. dverí, pripojte ju k 3. brzdovému svetlu a na hadicu ostrekovača (B) pripojte hadicu ostrekovača 3. brzdového svetla -detail obr. 6-.
- › Príchytky hadice ostrekovača zacvaknite do plechu na ľavej strane 5. dverí -detail obr. 7-, hadicu vedte medzi vonkajším a vnútorným plechom na ľavej strane 5. dverí -detail obr. 8-, ďalej pozdĺž pôvodnej elektrickej inštalácie k držadlu -detail obr. 9-, hadicu pripojte k držadlu -detail obr. 10-.
- › Hadicu ostrekovača dôkladne vyrovnajte a upevnite sťahovacími páskami (J) k zväzku pôvodnej elektrickej inštalácie vo vzdialenosti 10 – 15 cm.

## Obr. 11, 12, 13, 14, 15

### Pretiahnutie zväzku elektrickej inštalácie (A) (ďalej len zväzok) od pravej priechodky elektrickej inštalácie 5. dverí k držadlu

- › Zväzok (A) pretiahnite medzi stropom a karosériou, ďalej otvorom v karosérii do pravej priechodky elektrickej inštalácie 5. dverí, priechodkou a potom otvorom v plechu na pravej strane 5. dverí -detail obr. 11-.
- › K vodičom zväzku (A) pripojte 8-pólovú svorkovnicu (E) -detail obr. 12- nasledujúcim spôsobom.  
Oranžovo/hnedý vodič zapojte na PIN 8.  
Oranžovo/fialový vodič zapojte na PIN 4.  
Hnedý vodič zapojte na PIN 5.  
Červeno/biely vodič zapojte na PIN 1.
- › Zväzok vedte na pravej strane 5. dverí pozdĺž pôvodnej elektrickej inštalácie k držadlu -detail obr. 13-.
- › Príslušné svorkovnice zväzku (A) pripojte k svorkovniciam držadla (C) -detaily obr. 15- a potom zacvaknite do otvorov v plechu 5. dverí -šípky obr. 14-.
- › Zväzok dôkladne urovnajte a upevnite sťahovacími páskami (J) k zväzku pôvodnej elektrickej inštalácii vo vzdialenosti 10 – 15 cm.



SK



**Upozornenie: Zväzok pretahujte s najvyššou opatrnosťou, aby nedošlo k jeho poškodeniu, popr. poškodeniu svorkovnic a priechodky elektrickej inštalácie 5. dverí.**

## Obr. 16

- › Po upevnení zväzku omotajte zväzok v miestach vstupu a výstupu do/z priechodky elektrickej inštalácie 5. dverí vhodnou oteruvzdornou páskou a od priechodky elektrickej inštalácie 5. dverí v dĺžke cca 70 cm mäkkou textilnou páskou. Zacvaknite späť uvoľnenú priechodku elektrickej inštalácie 5. dverí.

## Trasovanie zväzku v interiéri vozidla:

### Obr. 17A, 18A

#### Vozidlá s ľavostranným riadením

- › S najvyššou opatrnosťou odklopte stropný panel na nevyhnutnú vzdialenosť (nesmie dôjsť k jeho poškodeniu) tak, aby bolo možné pretiahnutie zväzku medzi stropom a karosériou vozidla k pravému D-stĺpiku. Ďalej vedte zväzok pozdĺž pôvodnej elektrickej inštalácie v baňožinovom priestore vozidla.





### Ukostrenie

- › Kostriace oko hnedého vodiča vedte ku kostriacej skrutke na D-stĺpiku a pripojte ho na kostriacu skrutku -obr. 18A, šípka-. Maticu dotiahnite ťahovacím momentom 9 Nm.

### Obr. 17B, 18B

#### Vozidlá s pravostranným riadením

- › S najvyššou opatrnosťou odklopte stropný panel na nevyhnutnú vzdialenosť (nesmie dôjsť k jeho poškodeniu) tak, aby bolo možné pretiahnutie zväzku medzi stropom a karosériou vozidla k ľavému D-stĺpiku. Ďalej vedte zväzok pozdĺž pôvodnej elektrickej inštalácie v batožinovom priestore vozidla.

### Ukostrenie

- › Kostriace oko hnedého vodiča vedte ku kostriacej skrutke na C-stĺpiku a pripojte ho na kostriacu skrutku -obr. 18B, šípka-. Maticu dotiahnite ťahovacím momentom 9 Nm.

### Obr. 19A, 19B

- › Zväzok (A) natrasujte na strane spolujazdca z batožinového priestoru, pozdĺž zadného podbehu, prahu vozidla k A-stĺpiku.



**Upozornenie: V batožinovom priestore, na podbehu kolesa, na prahu vozidla a pri A-stĺpiku zväzok dôkladne vyrovnajte a upevnite k zväzku pôvodnej elektrickej inštalácie vozidla sťahovacími páskami (J) vo vzdialenosti 10 – 15 cm.**

### Obr. 20A, 20B

Schéma zväzku elektrickej inštalácie (A) v priestore pod prístrojovou doskou

### Obr. 21A, 22A, 23A, 24A

#### Vozidlá s ľavostranným riadením

- › Zväzok (A) natrasujte pozdĺž A-stĺpika -obr. 21A- k zväzku riadiacej jednotky informačnej elektroniky MIB do priestoru odkladacej schránky spolujazdca -obr. 22A-.
- › Vodič zväzku pre zapojenie do poistkového panelu vedte z priestoru odkladacej schránky spolujazdca pozdĺž nosníka modulu k strednému tunelu, cez strednú konzolu na stranu vodiča a ďalej k poistkovému panelu.



**Upozornenie: V priestore pod prístrojovou doskou zväzok dôkladne vyrovnajte a upevnite k zväzku pôvodnej elektrickej inštalácie vozidla sťahovacími páskami (J) a na vhodných miestach k nosníku modulu narážacími prichytkami (K) -obr. 23A, 24A-.**

### Obr. 21B

#### Vozidlá s pravostranným riadením

- › Zväzok vedte od A-stĺpika za držiakom riadiacej jednotky BCM a poistkového panelu RACK k nosníku modulu, ďalej pozdĺž nosníka modulu k zväzku riadiacej jednotky informačnej elektroniky.

### Obr. 25

#### Poistkový panel

- › Zasuňte dutinku červeno/bieleho vodiča zväzku podľa schémy do poistkového panelu na pozíciu 18A. Do osadeného miesta zasuňte poistku 7,5 A MINI (H).

SK





### Zapojenie zväzku kamery do riadiacej jednotky informačnej elektroniky

- › Z riadiacej jednotky informačnej elektroniky (umiestnenej v schránke spolujazdca) odpojte svorkovnicu „quadlock“ a vodiče zväzku zapojte podľa schémy nasledujúcim spôsobom. Biely vodič zväzku zapojte do modrej svorkovnice (quadlock) PIN 6 a čierny vodič zapojte do modrej svorkovnice (quadlock) PIN 12.
- Vyberte oranžovo/fialový vodič zo sivej svorkovnice ŠKODA (quadlock) PIN 6, zapojte ho do PIN 1 pomocnej svorkovnice (D). Vyberte oranžovo/hnedý vodič zo sivej svorkovnice ŠKODA (quadlock) PIN 12, zapojte ho do PIN 2 pomocnej svorkovnice (D).
- Na uvoľnený PIN 6 zapojte oranžovo/fialový vodič zväzku. Na uvoľnený PIN 12 zapojte oranžovo/hnedý vodič zväzku.
- Na svorkovnicu (D) navlečte molitanové tlenie a svorkovnicu zapojte do príslušnej svorkovnice zväzku, zväzok dôkladne vyrovnajte a k zväzku pôvodnej elektrickej inštalácie vozidla upevnite sťahovacími páskami (J).



**Upozornenie: Zväzok vedzte tak, aby nemohlo dôjsť k jeho poškodeniu o hrany konzoly prístrojovej dosky.**

**Pri module kúrenia (za odkladacou schránkou spolujazdca) upevnite zväzok parkovacej kamery k pôvodnej elektrickej inštalácii a k nosníku modulu vozidla tak, aby nemohlo dôjsť ku kontaktu s pohyblivou časťou modulu kúrenia (klapkou).**

**Pod prístrojovou doskou upevnite vodiče pri poistkovom paneli sťahovacími páskami tak, aby nemohlo dôjsť k ich uvoľneniu, a tým ku kolízii s ostatnými dielmi umiestnenými pod prístrojovou doskou (kolenným airbagom, pedálmi, stĺpikom riadenia a pod. pri vozidlách s ľavostranným riadením a so schránkou spolujazdca pri vozidlách s pravostranným riadením).**

**V žiadnom prípade nesmie byť obmedzená funkčnosť kolenného airbagu, pedálov a ostatných dielov umiestnených pod prístrojovou doskou.**

**Zároveň musí zostať možnosť uvoľnenia poistkového panelu.**

Skontrolujte celé natrasovanie zväzku (A) a upevnenie všetkých vodičov. Vodiče musia byť uchytené tak, aby nemohlo dôjsť k ich poškodeniu a aby počas jazdy nedochádzalo k rušivým zvukom.

Po ukončení montáže namontujte späť podľa dielenskej príručky všetky demontované diely. Pripojte akumulátor a urobte všetky úkony súvisiace s odpojením a znovupripojením akumulátora.

### Vykonajte aktiváciu parkovacej kamery

Vykonajte riadené vyhľadávanie porúch.

- › Aktivujte funkciu „správa programových verzií (SVM)“. V tomto menu zvolte funkciu 3 – tzv. „Vykonanie prestavby a dodatočnej výbavy“ – pozri obr. 26.
- › Zadajte 5-miestny kód opatrení (je uvedený v Katalógu náhradných dielov „ETKA“) a potvrdte ho.
- › Diagnostiku dokončíte obvyklým spôsobom.

Vykonajte základné nastavenie parkovacej kamery podľa Dielenskej príručky ŠKODA.

Vyskúšajte funkciu parkovacej kamery.

*Opis funkcie parkovacej kamery a zobrazenie snímaného priestoru sú uvedené v Návode na obsluhu vozidla – kapitola Asistenčné systémy/Pomoc pri parkovaní.*

SK



## Камера заднего вида

Принадлежности должны устанавливаться в ходе квалифицированного монтажа, выполняемого специалистом. Фирма ŠKODA AUTO рекомендует привлекать к выполнению монтажа партнера по договору.

### Использование

Комплект предназначен для автомобилей KODIAQ (NS), оснащенных системами Amundsen, Bolero, Columbus на основе модульного мультимедийного комплекса (MIB).

Комплект 566 054 634 предназначен для автомобилей KODIAQ (NS) с левосторонним рулевым управлением.

Комплект 567 054 634 предназначен для автомобилей KODIAQ (NS) с правосторонним рулевым управлением.



**Указание.** Рисунки, приведенные в руководстве, служат в качестве общей информации по монтажу. В ряде деталей они могут отличаться от реально установленных компонентов соответствующего автомобиля! В данном руководстве показан и описан порядок монтажа камеры заднего вида на автомобилях ŠKODA KODIAQ (NS) с левосторонним рулевым управлением. Порядок монтажа камеры заднего вида на автомобилях KODIAQ (NS) с правосторонним рулевым управлением производится аналогично, за исключением отклонений, помеченных на рисунке буквой В.

### Список деталей, входящих в комплект (рис. 1)

Деталь	Количество	Позиция
Комплект жгута проводов	1	A
Шланг подачи промывочной воды	1	B
Ручка-выемка с камерой заднего вида	1	C
Вспомогательный штекер, 3-полюсный	1	D
Вспомогательный штекер, 8-полюсный	1	E
Держатель штекера	1	F
Полоска из пенистой резины	1	G
Предохранитель 7,5 А MINI	1	H
Кабельный хомут:		
для левостороннего рулевого управления	45	J
для правостороннего рулевого управления	40	J
Кабельный хомут-фиксатор (только для левостороннего рулевого управления)	5	K
Инструкция по монтажу	1	

### Специальные инструменты

Набор выколоток  
Приспособление для прокладки кабеля

### Важные указания по монтажу

При прокладке части жгута проводов (А) через ввод для монтажа электропроводки необходимо действовать в соответствии с обычной практикой, принятой в мастерских, и с максимальной осторожностью, чтобы избежать повреждения жгута проводов, ввода для кабеля и имеющейся электропроводки.

RU



## Процесс монтажа

Во время монтажа аккумуляторная батарея автомобиля должна быть отсоединена.

Демонтаж и повторная установка отдельных деталей производятся в соответствии с указаниями в руководстве по выполнению ремонта ŠKODA.

### Необходимо демонтировать следующие детали:

- › ручку задней откидной двери,
- › верхнюю и нижнюю обшивку задней откидной двери,
- › обшивку задней стойки D слева и справа,
- › обшивку замка задней двери,
- › зажимы обшивки крыши,
- › ящик для инструментов (если есть 3-й ряд сидений),
- › 3-й ряд сидений (если имеется),
- › отсек для хранения со стороны пассажира переднего сиденья,
- › управляющее устройство информационного электронного оборудования модульного мультимедийного комплекса (MIB).

### На автомобилях с левосторонним рулевым управлением необходимо демонтировать с правой стороны по ходу движения следующие детали:

- › обшивку багажного отделения,
- › крышку направляющей планки задних сидений,
- › обшивку задней стойки кузова вверху,
- › обшивку порога задней и передней двери,
- › обшивку передней стойки кузова внизу.

### На автомобилях с левосторонним рулевым управлением необходимо демонтировать следующие детали:

- › боковую крышку панели приборов с левой и правой стороны,
- › боковую обшивку центральной консоли с левой и правой стороны,
- › отсек для хранения со стороны водителя,
- › обшивку со стороны водителя,
- › подушку безопасности в области колен (если имеется).

### На автомобилях с правосторонним рулевым управлением необходимо демонтировать с левой стороны по ходу движения следующие детали:

- › обшивку багажного отделения,
- › крышку направляющей планки задних сидений,
- › обшивку задней стойки кузова вверху,
- › обшивку порога задней и передней двери,
- › обшивку передней стойки кузова внизу.

### Необходимо отсоединить следующие детали:

- › правый ввод для кабеля электропроводки в задней откидной двери,
- › обшивку крыши,
- › патрон предохранителя.

## Рис. 2, 3

План раскладки шланга подачи промывочной воды (B) и жгута проводов (A) - раскладка и подключение шланга и всех проводов в соответствии с приведенными рисунками.

RU





#### Рис. 4

##### Ручка-выемка с камерой заднего вида

- › Демонтируйте ручку затвора задней откидной двери и отсоедините штекерные разъемы.
- › К ручке-выемке с камерой заднего вида (С) (далее - просто «ручка-выемка») подключите штекер имеющейся электропроводки, правильно расположите ручку-выемку и вставьте в отверстие в задней откидной двери.

#### Рис. 5

##### План раскладки шланга подачи промывочной воды (В) и жгута проводов (А) в задней откидной двери - раскладка и подключение шланга и всех проводов в соответствии с приведенными рисунками.

#### Рис. 6, 7, 8, 9, 10

##### Шланг подачи промывочной воды

- › Отсоедините держатель штекера от панели задней откидной двери и снимите шланг подачи промывочной воды для поднятого фонаря сигнала торможения. Протяните шланг подачи промывочной воды (В) через отверстие в панели задней откидной двери и подсоедините его к поднятому фонарю сигнала торможения. Затем подсоедините к шлангу подачи промывочной воды (В) шланг подачи промывочной воды для поднятого фонаря сигнала торможения (см. детальный рисунок на рис. 6).
- › Закрепите зажимы для шланга подачи промывочной воды на панели с левой стороны задней откидной двери (см. детальный рисунок на рис. 7), протяните шланг между наружной и внутренней панелями с левой стороны задней откидной двери (см. детальный рисунок на рис. 8), потом параллельно имеющейся электропроводке до ручки (см. детальный рисунок на рис. 9) и подсоедините его к ручке (см. детальный рисунок на рис. 10).
- › Тщательно выровняйте шланг подачи промывочной воды и с помощью кабельных хомутов (J) прикрепите к имеющемуся жгуту проводов на расстоянии 10-15 см.

#### Рис. 11, 12, 13, 14, 15

##### Прокладка жгута электропроводов (А) (далее - просто «жгут проводов») от правого ввода для кабеля электропроводки в задней откидной двери к ручке

- › Протяните жгут проводов (А) между крышей и кузовом, затем через отверстие в кузове через правый ввод для кабеля электропроводки в задней откидной двери, через ввод для кабеля и затем через отверстие в панели с правой стороны задней откидной двери (см. детальный рисунок на рис. 11).
- › Подключите отдельные провода жгута проводов (А) к 8-полюсному штекеру (Е) (см. детальный рисунок на рис. 12) следующим образом.  
Подключите оранжево-коричневый провод к гнезду 8.  
Подключите оранжево-фиолетовый провод к гнезду 4.  
Подключите коричневый провод к гнезду 5.  
Подключите красно-белый провод к гнезду 1.
- › Протяните жгут проводов с правой стороны задней откидной двери параллельно имеющейся электропроводке до ручки (см. детальный рисунок на рис. 13).
- › Подключите соответствующие штекеры жгута проводов (А) к штекерам ручки (С) (см. детальный рисунок на рис. 15), а затем закрепите в отверстиях панели задней откидной двери (см. стрелки, рис. 14).
- › Тщательно выровняйте жгут проводов и с помощью кабельных хомутов (J) прикрепите к имеющемуся жгуту проводов на расстоянии 10-15 см.

RU





**Указание. Прокладку жгута проводов необходимо производить с максимальной осторожностью, чтобы избежать повреждения самого жгута проводов, штекеров и ввода для прокладки электропроводки для задней откидной двери.**

#### Рис. 16

- › После закрепления жгута проводов обмотайте его в области входа в ввод для кабеля электропроводки в задней откидной двери и выхода из него подходящей лентой, устойчивой к истиранию, а от ввода для кабеля электропроводки в задней откидной двери участок длиной прим. 70 см - мягкой текстильной лентой. Отсоединенный ввод для кабеля электропроводки в задней откидной двери снова зафиксируйте на прежнем месте.

#### Раскладка жгута проводов в салоне автомобиля:

#### Рис. 17А, 18А

##### Автомобиль с левосторонним рулевым управлением.

- › Очень осторожно отогните обшивку крыши, насколько это необходимо (старайтесь не повредить), чтобы жгут проводов можно было протянуть между крышей и кузовом к правой стороне задней стойки D автомобиля. Затем протяните жгут проводов параллельно имеющейся электропроводке в кузове автомобиля.

##### Соединение с корпусом

- › Протяните присоединительное ушко для соединения с корпусом коричневого провода к винту заземления на корпус у задней стойки D автомобиля и подключите его к винту заземления на корпус (см. детальный рисунок на рис. 18А, стрелка). Затяните гайку с усилием 9 Нм.

#### Рис. 17В, 18В

##### Автомобиль с правосторонним рулевым управлением.

- › Очень осторожно отогните обшивку крыши, насколько это необходимо (старайтесь не повредить), чтобы жгут проводов можно было протянуть между крышей и кузовом к левой стороне задней стойки D автомобиля. Затем протяните жгут проводов параллельно имеющейся электропроводке в кузове автомобиля.

##### Соединение с корпусом

- › Протяните присоединительное ушко для соединения с корпусом коричневого провода к винту заземления на корпус у задней стойки D автомобиля и подключите его к винту заземления на корпус (см. детальный рисунок на рис. 18В, стрелка). Затяните гайку с усилием 9 Нм.

#### Рис. 19А, 19В

- › Протяните жгут проводов (А) со стороны водителя из багажного отделения параллельно задней колесной нише, порогу автомобиля, к передней стойке кузова.



**Указание. Тщательно протяните жгут проводов в багажном отделении, у колесной ниши, порога автомобиля и передней стойки кузова и прикрепите к имеющемуся жгуту проводов автомобиля с помощью кабельных хомутов (J) на расстоянии 10-15 см (см. стрелки).**

#### Рис. 20А, 20В

План раскладки жгута проводов (А) в зоне под панелью приборов.

RU





## Рис. 21А, 22А, 23А, 24А

### Автомобиль с левосторонним рулевым управлением.

- › Протяните жгут проводов (А) параллельно передней стойке кузова (рис. 21А) к жгуту проводов управляющего устройства информационного электронного оборудования модульного мультимедийного комплекса (МИБ) в область отсека для хранения со стороны пассажира переднего сиденья (рис. 22А).
- › Протяните провод жгута проводов для подключения к патрону предохранителя, из области отсека для хранения со стороны пассажира переднего сиденья, параллельно кронштейну модуля к среднему каналу, через центральную консоль к стороне водителя и далее к патрону предохранителя.



**Указание.** Тщательно протяните жгут проводов в зоне под панелью приборов и прикрепите к имеющемуся жгуту проводов автомобиля с помощью кабельных хомутов (J) и с помощью кабельных хомутов-фиксаторов (К) прикрепите в подходящих местах к кронштейну модуля (рис. 23А, 24А).

## Рис. 21В

### Автомобиль с правосторонним рулевым управлением.

- › Протяните жгут проводов от передней стойки кузова за держателем управляющего устройства блока управления бортовой сети (ВСМ) и патрона предохранителя RACK к кронштейну модуля и далее параллельно кронштейну модуля к жгуту проводов управляющего устройства информационного электронного оборудования.

## Рис. 25

### Патрон предохранителя

- › Вставьте втулку красно-белого провода жгута проводов в соответствии с принципиальной электросхемой в патрон предохранителя в гнездо 18А. Вставьте в гнездо с подключенным к нему проводом предохранитель 7,5 А MINI (Н).

### Подключение жгута проводов камеры к управляющему устройству информационного электронного оборудования.

- › Отсоедините от управляющего устройства информационного электронного оборудования (в отсеке для хранения со стороны пассажира переднего сиденья) разъем «quadlock» и подключите провода жгута проводов в соответствии с принципиальной электросхемой следующим образом.  
Подключите белый провод жгута проводов к синему штекеру (разъем «quadlock»), гнездо 6, и черный провод к синему штекеру (разъем «quadlock»), гнездо 12.  
Извлеките оранжево-фиолетовый провод из серого штекера ŠKODA (разъем «quadlock»), гнездо 6, и подключите его к гнезду 1 вспомогательного штекера (D). Извлеките оранжево-коричневый провод из серого штекера ŠKODA (разъем «quadlock»), гнездо 12, и подключите его к гнезду 2 вспомогательного штекера (D).  
К освобожденному гнезду 6 подключите оранжево-фиолетовый провод жгута проводов. К освобожденному гнезду 12 подключите оранжево-коричневый провод жгута проводов.  
Наденьте на штекер (D) элемент из пенистой резины и подключите штекер к соответствующему штекеру жгута проводов, тщательно протяните жгут проводов и прикрепите к имеющемуся жгуту проводов автомобиля с помощью кабельных хомутов (J).



RU







**Указание.** Проложите жгут проводов так, чтобы исключить возможность его повреждения о кромки консоли панели приборов.

**У отопителя салона (за отсеком для хранения со стороны пассажира переднего сиденья) прикрепите жгут проводов камеры заднего вида к имеющейся электропроводке и кронштейну модуля автомобиля таким образом, чтобы он не касался подвижной части отопителя (заслонки).**

**С помощью кабельных хомутов закрепите провода патрона предохранителя под панелью приборов таким образом, чтобы они не могли отсоединиться. За счет этого предотвращается возможность соприкосновения с другими компонентами, находящимися под панелью приборов (подушкой безопасности в области колен, педалями, рулевой колонкой и т. п. на автомобилях с левосторонним рулевым управлением и отсеком для хранения со стороны пассажира переднего сиденья - на автомобилях с правосторонним рулевым управлением).**

**Ничто никоим образом не должно влиять на функцию подушки безопасности в области колен, педалей и других компонентов, находящихся под панелью приборов.**

**Одновременно должна оставаться возможность отсоединения патрона предохранителя.**

Проверьте прокладку жгута проводов (А) и крепление всех проводов. Провода должны быть закреплены так, чтобы во время движения автомобиля исключалась возможность их повреждения и они не создавали никакого мешающего шума.

После завершения монтажа в соответствии с руководством по выполнению ремонта установите на место все демонтированные детали. Подключите аккумуляторную батарею автомобиля и выполните все необходимые действия, предписанные для процедуры отсоединения и повторного подключения ее проводов.

## Включение камеры заднего вида

Выполните управляемый поиск неисправностей.

- > Активируйте функцию «Управление версией программного обеспечения (SVM)». Выберите в этом меню функцию 3 «Выполнить функцию пере-/дооснащения» (см. рис. 26).
- > Введите 5-значный код операции (его можно найти в каталоге запчастей «ЕТКА») и подтвердите ввод.
- > Завершите процедуру диагностики в обычном порядке.

Произведите основную настройку камеры заднего вида в соответствии с указаниями в руководстве по выполнению ремонта ŠKODA.

Проверьте работу камеры заднего вида.

*Информацию о работе камеры заднего вида, а также отображении контролируемой зоны можно найти в руководстве по эксплуатации, гл. «Вспомогательные системы/Система автопарковки».*



## Tolatókamera

A tartozék alkatrészeket szakszerű módon kell beszerelni. A ŠKODA AUTO azt ajánlja, hogy az alkatrészek beszerelését szerződéses partnerrel végeztesse el.

### Használat

A készlet MIB Amundsen, Bolero vagy Columbus rendszerrel felszerelt KODIAQ (NS) járművekhez készült.

Az 566 054 634 készletet KODIAQ (NS) balkormányos járművekhez tervezték.

Az 567 054 634 készletet KODIAQ (NS) jobbkormányos járművekhez tervezték.



**Megjegyzés. Az útmutatóban található ábrákon általános beszerelési információkat láthatunk. Az adott jármű beszerelési helyei ezektől néhány részletben eltérhetnek! Az útmutatóban a balkormányos ŠKODA KODIAQ (NS) jármű tolatókamerájának beszerelését ábrázolták és irták le. A tolatókamera beszerelésének menete a jobbkormányos KODIAQ (NS) járművekbe - a „B”-vel jelölt ábrák kivételével - megegyezik.**

### A készlet darabjegyzéke (1. ábra)

Alkatrész	Darabszám	Jelölés
Komplett vezetékköteg	1	A
Mosóvíztömlő	1	B
Fogantyú tolatókamerával	1	C
Segédcsatlakozó, 3 pólusú	1	D
Segédcsatlakozó, 8 pólusú	1	E
Csatlakozótartó	1	F
Habgumidarab	1	G
Biztosító 7,5 A MINI	1	H
Kábelkötözők:		
Balkormányos járműhöz	45	J
Jobbkormányos járműhöz	40	J
Felpattintható kábelkötöző (csak balkormányos járműhöz)	5	K
Szerelési útmutató	1	

### Célszerszámok

Csatlakozóbontó készlet  
Kábelbehúzó segédeszköz

### Fontos szerelési utasítások

*Amikor a vezetékköteg (A) egy részét áthúzza a csomagterajtó elektromos bekötési készletének átvezetőjén, a műhelyben megszokott módon, a lehető legnagyobb óvatossággal járjon el annak érdekében, hogy elkerülje a vezetékköteg, valamint a csomagterajtó elektromos bekötési készletén lévő átvezető sérüléseit.*

### A szerelés menete

A beszerelés megkezdése előtt a jármű akkumulátorát le kell kötni.

Az egyes alkatrészeket a ŠKODA szerelési útmutató utasításainak megfelelően kell kiszerezni és visszaszerelni.

HU





**A következő alkatrészeket kell kiszerezni:**

- › Csomagtérajtó fogantyúja,
- › Felső és alsó csomagtérburkolat,
- › D-oszlopburkolat balra és jobbra,
- › Csomagtartófedél-zár burkolat,
- › Tetőburkolat-kapocs,
- › Szerszámdoboz (ha van 3. ülésor),
- › 3. ülésor (ha van),
- › Utasoldali rakodórekesz,
- › MIB információelektronikai vezérlőegység.

**Balkormányos járműveknél a (menetirány szerinti) jobb oldalon az alábbi alkatrészeket kell kiszerezni:**

- › A csomagtér burkolata,
- › A hátsó ülésor vezetősínjeinek fedőkupakja,
- › A C-oszlop burkolata,
- › Kűszöbburkolat a hátsó és az első ajtónál,
- › A-oszlop burkolata alul.

**Balkormányos járműveknél az alábbi alkatrészeket kell kiszerezni:**

- › A műszerfal oldalsó burkolata balra és jobbra,
- › A középkonzol oldalburkolata balra és jobbra,
- › Rakodórekesz a vezető oldalán,
- › Burkolat a vezető oldalán,
- › Térdlégzsák (ha van).

**Jobbkormányos járműveknél a (menetirány szerinti) bal oldalon az alábbi alkatrészeket kell kiszerezni:**

- › A csomagtér burkolata,
- › A hátsó ülésor vezetősínjeinek fedőkupakja,
- › C-oszlop burkolata,
- › Kűszöbburkolat a hátsó és az első ajtónál,
- › A-oszlop burkolata alul.

**A következő alkatrészeket kell meglazítani:**

- › Jobb oldali átvezető a csomagtérajtó vezetékkötege számára,
- › Tetőburkolat,
- › Biztosítótartó.

**2. és 3. ábra**

**A mosóvíztömlő (B) és a vezetékköteg (A) elvezetési rajza - a tömlőt és az összes vezeték-  
ket az adott ábrákon látható módon kell fektetni és bekötni.**

**4. ábra**

**Fogantyú tolatókamerával**

- › Szerelje ki a csomagtérajtó zárját és bontsa szét a dugaszolható csatlakozókat.
- › Csatlakoztassa a tolatókamerával felszerelt fogantyúhoz (C) (a továbbiakban: fogantyú) a meglévő elektromos bekötési készlet csatlakozóját, igazítsa el a fogantyút, és szerelje be a csomagtérajtó nyílásába.

**5. ábra**

**A mosóvíztömlő (B) és a vezetékköteg (A) elvezetési rajza a csomagtérajtón - a tömlőt és  
az összes vezetékét az adott ábrákon látható módon kell fektetni és bekötni.**

HU





## 6., 7., 8., 9., 10. ábra

### Mosóvíztömlő

- > Lazítsa ki a csomagterájtó lemezének csatlakozótartóját és húzza le a felszerelt féklámpáról a mosóvíztömlőt. Húzza keresztül a mosóvíztömlőt (B) a csomagterájtó lemezének nyílásán és csatlakoztassa a már felszerelt féklámpához. A mosóvíztömlőhöz (B) ezután csatlakoztassa a féklámpa mosóvíztömlőjét (lásd a részletrajzot a 6. ábrán).
- > Csíptesse fel a mosóvíztömlő rögzítőkapcsait a csomagterájtó bal oldalán (lásd a részletrajzot a 7. ábrán), vezesse a tömlőt a csomagterájtó bal oldalán a külső és a belső lemez között (lásd a részletrajzot a 8. ábrán), majd vezesse tovább párhuzamosan az elektromos vezetékköteggel a fogantyúig (lásd a részletrajzot a 9. ábrán), csatlakoztassa a tömlőt a fogantyúhoz (lásd a részletrajzot a 10. ábrán).
- > Igazítsa el óvatosan a mosóvíztömlőt és rögzítse a kábelkötözőkkel (J) a vezetékkötegen 10–15 cm távolságban.

## 11., 12., 13., 14., 15. ábra

### Az elektromos vezetékköteget (A) (a továbbiakban csak vezetékköteget) áthúzása a csomagterájtó elektromos vezetékkötege jobb oldali átvezetésétől a fogantyúig

- > Húzza a vezetékköteget (A) a tető és a karosszéria között, tovább a karosszéria nyílásán keresztül a csomagterájtó vezetékkötegeinek jobb oldali átvezetőjébe és azután a csomagterájtó jobb oldali lemeznyílásán keresztül (lásd a részletrajzot a 11. ábrán).
- > Csatlakoztassa a vezetékköteget (A) vezetőkeire a 8 pólusú csatlakozódugaszt (E) az alábbiak szerint (lásd a részletrajzot a 12. ábrán).
  - A narancssárga/barna vezeték csatlakoztassa a PIN 8 helyre.
  - A narancssárga/lila vezeték csatlakoztassa a PIN 4 helyre.
  - A barna vezeték csatlakoztassa a PIN 5 helyre.
  - A piros/fehér vezeték csatlakoztassa a PIN 1 helyre.
- > Vezesse a vezetékköteget a csomagterájtó jobb oldalán a felszerelt vezetékköteggel párhuzamosan a fogantyúig (lásd a részletrajzot a 13. ábrán).
- > Pattintsa fel a vezetékköteget (A) tartozó csatlakozót a fogantyú (C) csatlakozójára (lásd a részletrajzot a 15. ábrán), és azután a kapcsokkal rögzítse bele a csomagterájtó nyílásaiba (lásd a nyilakat a 14. ábrán).
- > A vezetékköteget gondosan igazítsa el és a kábelkötözőkkel (J) rögzítse a meglévő vezetékköteghöz 10–15 cm távolságban.

HU



**Megjegyzés. A vezetékköteget a lehető legnagyobb gondossággal húzza át, hogy elkerülje a vezetékköteget, illetve adott esetben a csatlakozók és a csomagterájtó-vezetékköteget átvezetésének sérülését.**

## 16. ábra

- > Miután a vezetékköteget rögzítette, tekerje körül a be- és kimenő részénél a csomagterájtó elektromos vezetékkötegeinek átvezetéséig/-től egy megfelelő, kopásálló szalaggal és a csomagterájtó elektromos vezetékkötegeinek átvezetőjétől egy 70 cm hosszúságú puha textilszalaggal. Rögzítse ismét a csomagterájtó elektromos vezetékkötegeinek kilázított átvezetőjét.





## A vezetékköteg elvezetése az utastérben:

### 17A és 18A ábra

#### Balkormányos járművek.

- › Rendkívül óvatosan, ameddig csak szükséges, hajlítsa meg a tetőburkolatot (nehogy megsérüljön), oly módon, hogy a vezetékköteg a tető és a karosszéria között a jobb oldali D-oszlopig áthúzható legyen. Vezesse tovább a vezetékköteget a jármű csomagterében lévő vezetékköteggel párhuzamosan.

#### A test bekötése

- › Vezesse a barna vezeték testsaruját a D-oszlopnál található testcsavarhoz és csatlakoztassa ahhoz (lásd a nyilat a 18A ábrán). A csavaranyát 9 Nm nyomatékkal kell meghúzni.

### 17B és 18B ábra

#### Jobbkormányos járművek.

- › Rendkívül óvatosan, ameddig csak szükséges, hajlítsa meg a tetőburkolatot (nehogy megsérüljön) úgy, hogy a vezetékköteg a tető és a karosszéria között a bal oldali D-oszlopig áthúzható legyen. Vezesse tovább a vezetékköteget a jármű csomagterében lévő vezetékköteggel párhuzamosan.

#### A test bekötése

- › Vezesse a barna vezeték testsaruját a C-oszlopnál található testcsavarhoz és csatlakoztassa ahhoz (lásd a nyilat a 18B ábrán). A csavaranyát 9 Nm nyomatékkal kell meghúzni.

### 19A és 19B ábra

- › Vezesse a vezetékköteget (A) a vezetőoldalon a csomagtérből a hátsó kerékdobbal párhuzamosan az A-oszlophoz a küszöblemezig.



**Megjegyzés.** Vezesse el gondosan a vezetékköteget a csomagtérben, a kerékdobon, a jármű küszöbén és az A-oszlopon, majd rögzítse a kábelkötözőkkel (J) a jármű meglévő elektromos vezetékkötegeéhez kb. 10-15 cm-enként.

### 20A és 20B ábra

A vezetékköteg (A) elvezetési rajza a műszerfal alatti területen.

### 21A, 22A, 23A, 24A ábra

#### Balkormányos járművek.

- › Húzza a vezetékköteget (A) az A-oszloppal párhuzamosan (a 21A ábrán látható módon) a MIB információelektronika vezérlőegységének vezetékkötegeig az utasoldali rakodórekesznél (22A ábra).
- › Vezesse a biztosítótartót csatlakoztató vezetékköteg vezetékét az utasoldali rakodórekeszből a modultartóval párhuzamosan a középalagútig, keresztül a középkonzolon a vezető oldaláig és tovább a biztosítótartóhoz.



**Megjegyzés.** A műszerfal alatti területen körültekintően húzza a vezetékköteget, és rögzítse azt a jármű meglévő vezetékkötegen a kábelkötözőkkel (J), valamint a modultartó megfelelő helyén a feltűzhető kábelkötözőkkel (K) (23A és 24A ábra).

HU





## 21B ábra

### Jobbkormányos járművek.

- › Vegesse el a vezetékköteget az A-oszloptól a BCM vezérlőegység tartója és a RACK biztosítótartó mögött a modultartóhoz, majd tovább, a modultartóval párhuzamosan az információelektronikai vezérlőegység vezetékkötegéhez.

## 25. ábra

### Biztosítótartó

- › Helyezze a vezetékköteg piros/fehér vezetékének saruját a kapcsolási rajz szerint a 18A aljzaton lévő biztosítótartóba. A bekötött aljzatba helyezze be a 7,5 A MINI biztosítót (H).

### A kamera vezetékkötegének csatlakoztatása az információelektronikai vezérlőegységhez.

- › Húzza le az információelektronikai vezérlőegységről (az utasoldali rakodórekeszben) a „quadlock” csatlakozót, majd csatlakoztassa a vezetékköteg vezetékét a kapcsolási rajz alapján a következők szerint.  
Csatlakoztassa a vezetékköteg fehér vezetékét a kék (quadlock) csatlakozó PIN 6 helyére, valamint a fekete vezetékét a kék (quadlock) csatlakozó PIN 12 helyére.  
Vegye ki a narancssárga/lila vezetékét a szürke ŠKODA (quadlock) csatlakozó PIN 6 helyéről és csatlakoztassa a segédcsatlakozó (D) PIN 1 helyére. Vegye ki a narancssárga/barna vezetékét a szürke ŠKODA (quadlock) csatlakozó PIN 12 helyéről és csatlakoztassa a segédcsatlakozó (D) PIN 2 helyére.  
A felszabadult PIN 6 helyre csatlakoztassa a vezetékköteg narancssárga/lila vezetékét. A felszabadult PIN 12 helyre csatlakoztassa a vezetékköteg narancssárga/barna vezetékét.  
Húzza át a habgumi idomot a csatlakozón (D) és tűzze rá a csatlakozót a hozzá tartozó vezetékköteg csatlakozójára, a vezetékköteget óvatosan húzza és rögzítse a jármű meglévő vezetékkötegén a kábelkötözőkkel (J).



**Megjegyzés. A vezetékköteget úgy kell elvezetni, hogy ne sérülhessen meg a műszerfalkonzol élein.**

**A fűtőberendezésnél (az utasoldali rakodórekesz mögött) úgy kell rögzíteni a tolatókamera vezetékkötegét a jármű meglévő vezetékkötegéhez és a jármű modultartójához, hogy ne érintkezzen a fűtőberendezés mozgó részével (csappantyú).**

**A műszerfal alatt úgy rögzítse a vezetékeket kábelkötözőkkel a biztosítótartóhoz, hogy a vezetékek ne válhassanak le. Ezzel elkerülhető, hogy a vezetékek a műszerfal alatt található alkatrészeknek (balkormányos járműveknél térdlégzsák, pedálok, kormányoszlop és hasonló, jobbkormányos járműveknél az utasoldali rakodórekesz) ütközzenek.**

**A térdlégzsák, a pedálok, valamint a többi, műszerfal alatt található szerkezeti elem működését semmiképpen sem szabad akadályozni.**

**Egyúttal maradjon meg a lehetőség a biztosítótartó kilazítására.**

Ellenőrizze a kihúzott vezetékköteget (A), valamint valamennyi vezeték rögzítését. A vezetékeket úgy kell rögzíteni, hogy ne sérülhessenek meg, és menet közben ne keletkezessenek zavaró zajok.

HU





A beszerelés befejezése után szerelje vissza a kiszertelt alkatrészeket a javítási segédletben leírtaknak megfelelően. Kösse vissza a jármű akkumulátorát, és végezze el az akkumulátor lekötésével és visszakötésével kapcsolatos munkalépéseket.

### **Aktiválja a tolatókamerát**

**Végezze el az alábbi hibakeresést.**

- > Aktiválja a „Szoftververzió-menedzsment (SVM)” funkciót. Válassza ki ebben a menüben a 3. funkciót, az ún. „Átszerelés/utólagos beszerelés elvégzése” pontot (lásd a 26. ábrát).
- > Írja be és hagyja jóvá az ötjegyű végrehajtási kódot (az „ETKA” pótalkatrész-katalógusban található).
- > Fejezze be a diagnosztikát a szokásos módon.

**Végezze el a tolatókamera alapbeállítását a ŠKODA szerelési útmutató szerint.**

**Ellenőrizze a tolatókamera működését.**

*A tolatókamera működésének leírása, valamint a felügyelt terület megjelenítése a kezelési útmutató „Asszisztensrendszerek”/„Parkolást segítő berendezés” fejezetében található.*



HU





## Cameră video pentru marșarier

Accesoriiile sunt prevăzute pentru montaj profesional. ŠKODA AUTO recomandă executarea montajului de către partenerii contractuali.

### Utilizare

Setul este prevăzut pentru autovehiculele KODIAQ (NS) cu sistem MIB Amundsen, Bolero, Columbus în dotarea autovehiculului.

Setul 566 054 634 este prevăzut pentru autovehiculele KODIAQ (NS) în varianta cu volanul pe stânga.

Setul 567 054 634 este prevăzut pentru autovehiculele KODIAQ (NS) în varianta cu volanul pe dreapta.



**Indicație.** Figurile din manual servesc ca informație generală de montaj. În anumite detalii pot exista diferențe față de locurile de montare ale autovehiculului respectiv! În manual este reprezentat și descris montajul camerei video pentru marșarier la autovehiculul ŠKODA KODIAQ (NS) în varianta cu volanul pe stânga. Procesul de montaj pentru camera video pentru marșarier de la autovehiculele KODIAQ (NS) în varianta cu volanul pe dreapta este identic cu excepția diferențelor ilustrate în fig. cu indexul B.

### Lista de piese a setului (fig. 1)

Piesă	Număr de bucăți	Poziție
Fascicul de cabluri complet	1	A
Furtun pentru apa de spălare	1	B
Mâner adâncit cu cameră video pentru marșarier	1	C
Fișă auxiliară cu 3 poli	1	D
Fișă auxiliară cu 8 poli	1	E
Suport de fișă	1	F
Element de cauciuc spongios	1	G
Siguranță 7,5A MINI	1	H
Colier de cabluri:		
Pentru varianta cu volanul pe stânga	45	J
Pentru varianta cu volanul pe dreapta	40	J
Colier de cabluri cu atașare tip fișă (numai pentru varianta cu volanul pe stânga)	5	K
Instrucțiuni de montaj	1	

### Scule speciale

Set cuttere

Sculă auxiliară pentru tras cabluri

### Indicații de montaj importante

*La tragerea unei părți a fasciculului de cabluri (A) prin piesa de trecere pentru instalația electrică a haionului, se va proceda după metoda uzuală a atelierului și cu cea mai mare precauție posibilă, pentru a evita deteriorările la fasciculul de cabluri, la piesa de trecere, precum și la instalația electrică a haionului existentă.*

RO







## Procesul de montaj

În timpul efectuării montajului, este bine ca bateria autovehiculului să fie desprinsă de la borne.

Demontarea și remontarea tuturor pieselor se realizează conform instrucțiunilor din ghidul de reparații ŠKODA.

### Trebuie demontate următoarele piese:

- > mânerul de la haion,
- > capitonajul haionului, sus și jos,
- > învelișul stâlpului D stânga și dreapta,
- > învelișul de la încuietoearea haionului,
- > clipsurile pentru capitonajul plafonului,
- > cutia de scule (dacă există în dotare al 3-lea rând de scaune),
- > al 3-lea rând de scaune (dacă există în dotare),
- > compartimentul de depozitare pe partea pasagerului din față,
- > aparatul de comandă pentru sistemul electronic de informații MIB.

### La variantele cu volanul pe stânga se vor demonta pe partea dreaptă (în sensul de deplasare) următoarele piese:

- > capitonajul portbagajului,
- > capacul pentru șina de ghidare a banchetei spate,
- > învelișul stâlpului C sus,
- > învelișul pragului de la ușa spate și față,
- > învelișul stâlpului A jos.

### La variantele cu volanul pe stânga se vor demonta următoarele piese:

- > protecția laterală a tabloului de bord stânga și dreapta,
- > învelișul lateral al consolei centrale stânga și dreapta,
- > compartimentul de depozitare pe partea șoferului,
- > învelișul pe partea șoferului,
- > airbag-ul genunchi (dacă există în dotare).

### La variantele cu volanul pe dreapta se vor demonta pe partea stângă (în sensul de deplasare) următoarele piese:

- > capitonajul portbagajului,
- > capacul pentru șina de ghidare a banchetei spate,
- > învelișul stâlpului C sus,
- > învelișul pragului de la ușa spate și față,
- > învelișul stâlpului A jos.

### Se vor detașa următoarele piese:

- > piesa de trecere dreapta pentru instalația electrică a haionului,
- > capitonajul plafonului,
- > suportul pentru siguranțe.

## Fig. 2, 3

Planul de pozare al furtunului pentru apa de spălare (B) și al fasciculului de cabluri (A) - pozați și racordați furtunul și toate cablurile conform figurilor corespunzătoare.

## Fig. 4

### Mâner adâncit cu cameră video pentru marșarier

- > Demontați mânerul pentru deblocarea haionului și separați conectorii.
- > Introduceți fișa instalației electrice existente la mânerul adâncit cu camera video pentru marșarier (C) (în continuare denumit doar mâner adâncit), poziționați mânerul adâncit și montați-l în orificiul din haion.

RO





### Fig. 5

**Planul de pozare al furtunului pentru apa de spălare (B) și al fasciculului de cabluri (A) din haion - pozați și racordați furtunul și toate cablurile conform figurilor corespunzătoare.**

### Fig. 6, 7, 8, 9, 10

#### Furtun pentru apa de spălare

- > Desfaceți suportul de fișă de pe tabla haionului și desprindeți furtunul pentru apa de spălare pentru lumina de frână amplasată sus. Trageți furtunul pentru apa de spălare (B) prin deschizătura din tabla haionului și racordați-l la lumina de frână amplasată sus. Racordați apoi la furtunul pentru apa de spălare (B), furtunul pentru apa de spălare pentru lumina de frână amplasată sus -detaliu fig. 6-.
- > Fixați clipsurile pentru furtunul pentru apa de spălare în tabla de pe partea stângă a haionului -detaliu fig. 7-, pozați furtunul între tabla exterioară și interioară pe partea stângă a haionului -detaliu fig. 8-, și mai departe la mâner, paralel cu instalația electrică existentă -detaliu fig. 9-, și racordați furtunul la mâner -detaliu fig. 10-.
- > Aliniați cu grijă furtunul pentru apa de spălare și fixați-l cu colierele de cabluri (I) la fasciculul de cabluri existent la o distanță de 10 - 15 cm.

### Fig. 11, 12, 13, 14, 15

**Tragerea fasciculului de cabluri electrice (A) (denumit în continuare doar fascicul de cabluri) de la piesa de trecere din dreapta pentru instalația electrică a haionului la mâner**

- > Trageți fasciculul de cabluri (A) între plafon și caroserie, mai departe prin deschizătura din caroserie în piesa de trecere din dreapta pentru instalația electrică a haionului, prin piesa de trecere și apoi prin deschizătura din tabla de pe partea dreaptă a haionului -detaliu fig. 11-.
- > Racordați fișa cu 8 poli (E) la cablurile fasciculului de cabluri (A) -detaliu fig. 12- după cum urmează.  
Racordați cablul portocaliu/ maro la PIN 8.  
Racordați cablul portocaliu/ violet la PIN 4.  
Racordați cablul maro la PIN 5.  
Racordați cablul roșu/ alb la PIN 1.
- > Pozați fasciculul de cabluri pe partea dreaptă a haionului paralel cu instalația electrică existentă la mâner -detaliu fig. 13-.
- > Cuplați fișele aferente fasciculului de cabluri (A) la fișele mânerului (C) -detalii fig. 15- și apoi prindeți în clipsuri în deschizăturile din tabla haionului -săgeți fig. 14-.
- > Aliniați cu grijă fasciculul de cabluri și fixați-l cu colierele de cabluri (I) la fasciculul de cabluri existent la o distanță de 10 - 15 cm.



**Indicație. Trageți fasciculul de cabluri cu cea mai mare atenție, pentru a preveni deteriorări ale fasciculului de cabluri, eventual ale fișelor și ale piesei de trecere pentru instalația electrică a haionului.**

### Fig. 16

- > După fixarea fasciculului de cabluri, înfășurați-l în zona intrării și ieșirii în/ din piesa de trecere pentru instalația electrică a haionului cu o bandă adecvată, rezistentă la frecare și de la piesa de trecere pentru instalația electrică a haionului pe o lungime de aprox. 70 cm cu o bandă textilă moale. Prindeți din nou în clipsuri piesa de trecere desfăcută pentru instalația electrică a haionului.

RO





## Pozarea fascicului de cabluri în spațiul interior al autovehiculului:

### Fig. 17A, 18A

#### Varianta cu volanul pe stânga.

- > Îndoțiți cu precauție atât cât este necesar capitonajul plafonului (nu trebuie deteriorat), astfel încât fasciculul de cabluri dintre plafon și caroserie să poată fi tras spre stâlpul D din dreapta. Pozați în continuare fasciculul de cabluri paralel cu instalația electrică existentă în portbagajul autovehiculului.

#### Legarea la masă

- > Conduceți veriga masei cablului maro la șurubul de legare la pământ de la stâlpul D și conectați-o la șurubul de legare la pământ -fig. 18A, săgeată-. Strângeți ferm piulița cu 9 Nm.

### Fig. 17B, 18B

#### Varianta cu volanul pe dreapta.

- > Îndoțiți cu precauție atât cât este necesar capitonajul plafonului (nu trebuie deteriorat), astfel încât fasciculul de cabluri dintre plafon și caroserie să poată fi tras spre stâlpul D din stânga. Pozați în continuare fasciculul de cabluri paralel cu instalația electrică existentă în portbagajul autovehiculului.

#### Legarea la masă

- > Conduceți veriga masei cablului maro la șurubul de legare la pământ de la stâlpul C și conectați-o la șurubul de legare la pământ -fig. 18B, săgeată-. Strângeți ferm piulița cu 9 Nm.

### Fig. 19A, 19B

- > Pozați fasciculul de cabluri (A) pe partea pasagerului din față din portbagaj, paralel cu pasajul de roată spate, la pragul autovehiculului, până la stâlpul A.



**Indicație. Pozați cu grijă fasciculul de cabluri în portbagaj, la pasajul de roată, la pragul autovehiculului și la stâlpul A și fixați-l la fasciculul de cabluri propriu al autovehiculului cu colierele de cabluri (J) la o distanță de 10 - 15 cm.**

### Fig. 20A, 20B

Planul de pozare al fascicului de cabluri (A) în zona de sub tabloul de bord.

### Fig. 21A, 22A, 23A, 24A

#### Varianta cu volanul pe stânga.

- > Pozați fasciculul de cabluri (A) paralel cu stâlpul A -fig. 21A-, la fasciculul de cabluri al aparatului de comandă pentru sistemul electronic de informații MIB în zona compartimentului de depozitare pe partea pasagerului din față -fig. 22A-.
- > Pozați cablul fascicului de cabluri pentru conexiunea la suportul pentru siguranțe, din zona compartimentului de depozitare pe partea pasagerului din față, paralel cu elementul portant de modul până la tunelul central, prin consola centrală spre partea șoferului și mai departe la suportul pentru siguranțe.



**Indicație. Pozați cu grijă fasciculul de cabluri în zona de sub tabloul de bord și fixați-l la fasciculul de cabluri propriu al autovehiculului cu colierele de cabluri (J) și în locurile adecvate la elementul portant de modul cu colierele de cabluri cu atașare tip fișă (K) -fig. 23A, 24A-.**

RO





**Fig. 21B**

**Varianta cu volanul pe dreapta.**

- > Pozați fasciculul de cabluri de la stâlpul A în spatele suportului aparatului de comandă BCM și al suportului pentru siguranțe RACK către elementul portant de modul, mai departe paralel cu elementul portant de modul până la fasciculul de cabluri al aparatului de comandă pentru sistemul electronic de informații.

**Fig. 25**

**Suport de siguranțe**

- > Introduceți manșonul cablului roșu/ alb al fasciculului de cabluri conform schemei circuitelor electrice în suportul pentru siguranțe de la priza 18A. Introduceți siguranța 7,5A MINI (H) în priza ocupată.

**Conectarea fasciculului de cabluri al camerei la aparatul de comandă pentru sistemul electronic de informații.**

- > Scoateți fișa „quadlock” de la aparatul de comandă pentru sistemul electronic de informații (în compartimentul de depozitare de pe partea pasagerului din față) și conectați cablurile fasciculului de cabluri conform schemei circuitelor electrice după cum urmează.  
Conectați cablul alb al fasciculului de cabluri la fișa albastră (quadlock) PIN 6 și cablul negru la fișa albastră (quadlock) PIN 12.  
Scoateți cablul portocaliu/ violet din fișa gri ŠKODA (quadlock) PIN 6 și conectați-l la PIN 1 al fișei auxiliare (D). Scoateți cablul portocaliu/ maro din fișa gri ŠKODA (quadlock) PIN 12 și conectați-l la PIN 2 al fișei auxiliare (D).  
Conectați cablul portocaliu/violet al fasciculului de cabluri la PIN 6 eliberat. Conectați cablul portocaliu/maro al fasciculului de cabluri la PIN 12 eliberat.  
Trageți elementul de cauciuc spongios peste fișa (D) și cuplați fișa la fișa aferentă a fasciculului de cabluri, pozați cu grijă fasciculul de cabluri și fixați-l la fasciculul de cabluri propriu al autovehiculului cu colierele de cabluri (J).



**Indicație. Pozați fasciculul de cabluri astfel încât acesta să nu poată fi deteriorat de marginile consolei tabloului de bord.**

**La echipamentul de încălzire (în spatele compartimentului de depozitare de pe partea pasagerului din față), fixați fasciculul de cabluri al camerei video pentru marșarier de instalația electrică existentă și de suportul de modul al autovehiculului, astfel încât să nu poată atinge partea mobilă a echipamentului de încălzire (clapeta).**

**Sub tabloul de bord, fixați cablurile cu coliere de cabluri pe suportul pentru siguranțe, astfel încât acestea să nu se poată desprinde. Astfel va fi prevenită o coliziune cu alte componente aflate sub tabloul de bord (airbag genunchi, pedale, coloana de direcție și altele similare la variantele cu volanul pe stânga și compartimentul de depozitare de pe partea pasagerului din față la variantele cu volanul pe dreapta).**

**Funcționarea airbag-ului pentru genunchi, a pedalelor, precum și a celorlalte elemente constructive care se găsesc sub tabloul de bord nu trebuie să fie influențată în niciun caz.**

**În același timp trebuie să se păstreze posibilitatea de a decupla suportul de siguranțe.**

RO



Verificați pozarea fasciculului de cabluri (A), precum și fixarea tuturor cablurilor. Cablurile trebuie fixate astfel încât să nu se deterioreze și să nu se formeze interferențe pe parcursul deplasării.

După încheierea montajului, toate piesele demontate trebuie montate la loc conform ghidului de reparații. Conectați bateria autovehiculului și efectuați toți pașii de lucru referitori la deconectarea și reconectarea bateriei.

## Activarea camerei video pentru marșarier

**Efectuați o căutare dirijată a defectelor.**

- > Activați funcția „Managementul versiunii software (SVM)”. În acest meniu, selectați funcția 3 - așa-numita „Executare reechipare/echipare ulterioară” - a se vedea fig. 26.
- > Introduceți codul de măsură format din 5 caractere (se va procura din catalogul de piese de schimb „ETKA”) și confirmați.
- > Încheiați diagnoza în modul obișnuit.

**Efectuați setarea de bază a camerei video pentru marșarier conform ghidului de reparații ŠKODA.**

**Verificați funcționarea camerei video pentru marșarier.**

*Descrierea funcționării camerei video pentru marșarier, precum și prezentarea zonei supravegheate se vor consulta în manualul de utilizare - capitolul Sisteme de asistență / Ajutor la parcare.*







- EN** The information on the technical data, design, equipment, materials, guarantees and outside appearance refer to the period when the mounting instructions are sent to print. The manufacturer reserves the right to changes (including the change in technical parameters with reference to the individual model measures).
- CZ** Informace o technických údajích, konstrukci, vybavení, materiálech, zárukách a vnějším vzhledu se vztahují na období zadávání montážního návodu do tisku. Výrobce si vyhrazuje právo změny (včetně změny technických parametrů se změnami jednotlivých modelových opatření).
- DE** Informationen über technische Angaben, Konstruktion, Ausrüstung, Werkstoffe, Garantien und äußerliches Aussehen beziehen sich auf den Zeitraum, in dem die Montageanleitung in Druck gegeben wurde. Der Hersteller behält sich das Änderungsrecht vor (samt Änderungen der technischen Parameter mit Änderungen einzelner Modellmaßnahmen).
- ES** Las informaciones sobre los datos técnicos, la construcción, el equipo, los materiales, la garantía y el aspecto son válidas para el período en que la instrucción de montaje es mandada a imprimir. El fabricante se reserva el derecho de cambiar (incluyendo el cambio de los parámetros técnicos con los cambios de las distintas medidas modelo).
- FR** Les informations sur les données techniques, de construction, d'équipement, de matériaux, de garanties et sur l'aspect concernent la période de mise sous presse des instructions de montage. Le fabricant se réserve le droit de modification (incluant les modifications des paramètres techniques avec des modifications particulières des mesures de modelage).
- IT** Informazioni dei dati tecnici, costruzione, corredo, materiali, garanzie e l'aspetto esterno riguardano il periodo, quando l'istruzione per il montaggio sono stati dati alle stampe. Il produttore si riserva il diritto di eseguire le modifiche (compreso la modifica dei parametri tecnici riguardanti la modifiche dei modelli).
- SV** Upplysningarna om tekniska data, konstruktion, utrustning, materialier, garantier, och om yttre utseendet, gäller tidrymden då montageanledningen givits i uppdrag för tryckning. Producenten förbehåller sig rätten till förändringar (inkl. modifikation av tekniska parametrar samman med ändringar av enskilda modellåtgärder).
- NL** Informaties over de technische gegevens, constructie, uitrusting, materialen, garanties en het uiterlijk hebben betrekking op de periode wanneer de montageaanwijzing in druk wordt gegeven. De fabrikant behoudt zich het recht van de wijziging voor (inclusief wijziging van de technische parameters met de wijzigingen van de afzonderlijke modelvoorzieningen).
- PL** Informacje o danych technicznych, konstrukcji, wyposażeniu, materiałach, gwarancjach i wyglądzie zewnętrznym odnoszą się do okresu zlecenia instrukcji montażowej do druku. Producent zastrzega sobie prawo zmiany (włącznie ze zmianą parametrów technicznych ze zmianami poszczególnych modelowych posunięć).
- SK** Informácie o technických údajoch, konštrukcii, vybavení, materiáloch, zárukách a vonkajšom vzhľade sa vzťahujú na obdobie zadávania montážneho návodu do tlače. Výrobca si vyhradzuje právo zmeny (vrátane zmeny technických parametrov so zmenami jednotlivých modelových opatrení).
- RU** Информация о технических данных, конструкции, оснащении, материалах, гарантии и внешнего вида соответствует периоду передачи заказа инструкции по монтажу в печать. Производитель оставляет за собой право внесения изменений (в том числе изменений технических параметров с изменениями отдельных модельных мер).
- HU** A műszaki adatokra, a konstrukcióra, a felhasználható anyagokra, a garanciára és a termék kivetelére vonatkozó adatok a jelen anyag nyomdába kerülésének idején érvényben lévő állapotot tükrözik. A gyártó fenntartja magának a változtatások jogát (azokat a műszaki változtatásokat is beleértve, amelyek a modellmódosítások miatt következnek be).
- RO** Informațiile privind datele tehnice, construcția, dotarea, materialele, garanțiile și aspectul exterior se referă la momentul prezentării instrucțiunilor de montaj pentru tipărire. Fabrică își rezervă dreptul de a face schimbări (inclusiv schimbarea parametrilor tehnici cu schimbările măsurilor pentru diferitele modele).



Nr. 566 054 634, 567 054 634/ 02.2017

[www.skoda-auto.com](http://www.skoda-auto.com)  
[www.skoda-auto.cz](http://www.skoda-auto.cz)

Tento výrobek je shodný s typem schváleným Ministerstvem dopravy  
České republiky pod číslem schválení ATEST 8SD č.1426.

